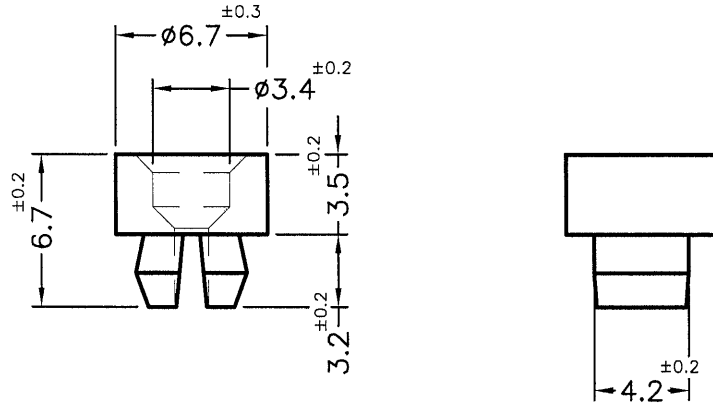
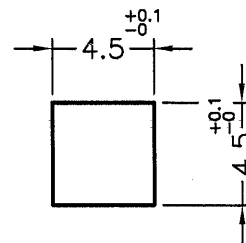


REVISIONS			
REV	DESCRIPTION	DATE	BY


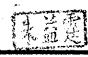



PART NUMBER	MATERIAL	COLOR
ETSA-3.5	NYLON 66 UL94V-2	NATURAL
ETSA-3.5V0	NYLON 66 UL94V-0	NATURAL(WHITE)
ETSA-3.5V0(O)		ORANGE



MOUNTING HOLE

NOTE:MADE OF EQUIVALENT MATERIAL.
均可使用同等材質.

 <p>康揚企業股份有限公司 KANG YANG HARDWARE ENTERPRISE CO., LTD. 康揚塑膠(東莞)有限公司 KANG YANG PLASTIC(DONG GUAN) CO., LTD. 康哲電腦配件(吳江)有限公司 KANG CHE COMPUTER COMPONENTS(WUJIANG) CO., LTD.</p>	TITLE		SPEC. DWG.	
	MATERIAL		DATE	
	FINISH		DRAWN	
	COLOR		CHECK	
PART NUMBER	DRAWING NUMBER	UNLESS OTHERWISE SPECIFIED TOLERANCE		APPROVED
SEE ABOVE	ETSA-3.5	SEE ABOVE		
SIZE	SCALE	UNIT	REV	
A4	3:1	mm	B	