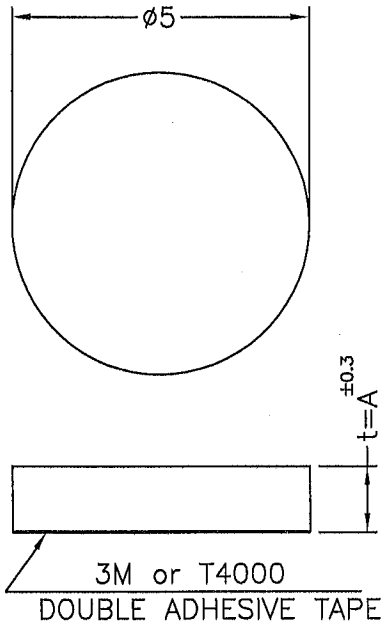


REVISIONS			
REV	DESCRIPTION	DATE	BY



PART NO.	A
RF5-2	2.0
RF5-2.2	2.2
RF5-2.5	2.5
RF5-3.5	3.5

NOTE: 1. HEIGHT INCLUDE ADHESIVE TAPE, NOT INCLUDE RELEASE PAPER.

高度含背膠但不含離型紙厚度。

2. THERE MIGHT BE A WAIST SHRINK IN CUTTING PROCESS, IT IS A NORMAL PHENOMENON.

裁切時會有縮腰現象為正常。

<p>康揚企業股份有限公司 KANG YANG HARDWARE ENTERPRISE CO., LTD. 康揚塑膠(東莞)有限公司 KANG YANG PLASTIC(DONG GUAN) CO., LTD. 康哲電腦配件(吳江)有限公司 KANG CHE COMPUTER COMPONENTS(WUJIANG) CO., LTD.</p>				TITLE	RUBBER FOOT	SPEC. DWG.	
				MATERIAL	RUBBER(NR)	DATE	1999.05.11
				FINISH		DRAWN	JASON
				COLOR	BLACK	CHECK	
PART NUMBER	SEE ABOVE	DRAWING NUMBER	RF5-H	UNLESS OTHERWISE SPECIFIED TOLERANCE	±0.4	APPROVED	
SIZE	A4	SCALE	NONE	UNIT	mm	REV	C