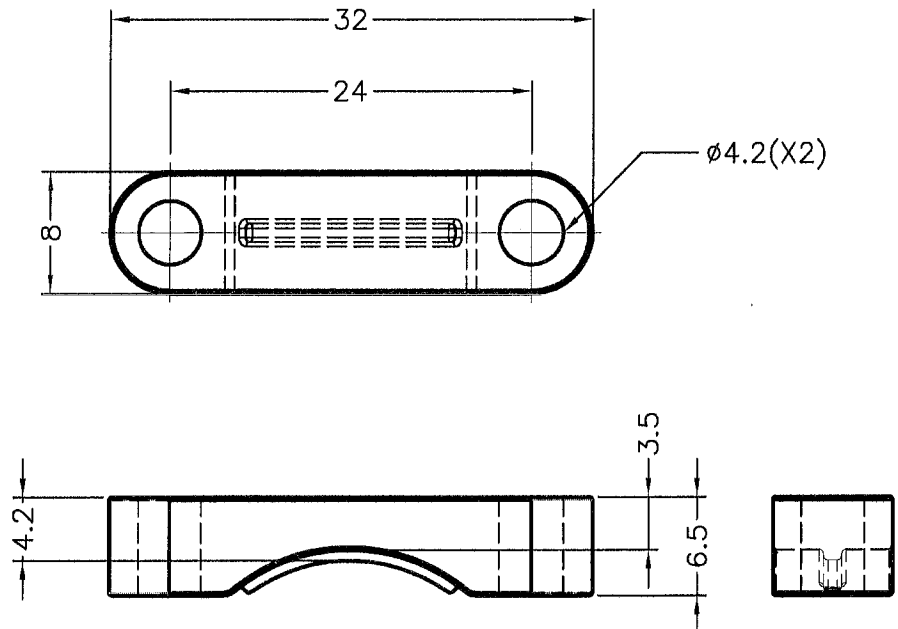

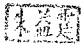


REVISIONS			
REV	DESCRIPTION	DATE	BY



PART NO.	COLOR
CLT-14	NATURAL
CLT-14(B)	BLACK

NOTE: All measurement does not include gate which raises under 0.3mm.

 康揚企業股份有限公司 KANG YANG HARDWARE ENTERPRISE CO., LTD. 康揚塑膠(東莞)有限公司 KANG YANG PLASTIC(DONG GUAN) CO., LTD. 康哲電腦配件(吳江)有限公司 KANG CHE COMPUTER COMPONENTS(WUJIANG) CO., LTD.			TITLE	WIRE MOUNT	SPEC. DWG.	
			MATERIAL	NYLON 66 UL94V-2	DATE	2014.04.11
			FINISH		DRAWN	ROBERT
			COLOR	SEE ABOVE	CHECK	
PART NUMBER	SEE ABOVE	DRAWING NUMBER	CLT-14	UNLESS OTHERWISE SPECIFIED TOLERANCE	±0.2	
SIZE	A4	SCALE	2:1	UNIT	mm	
		REV	A	APPROVED	