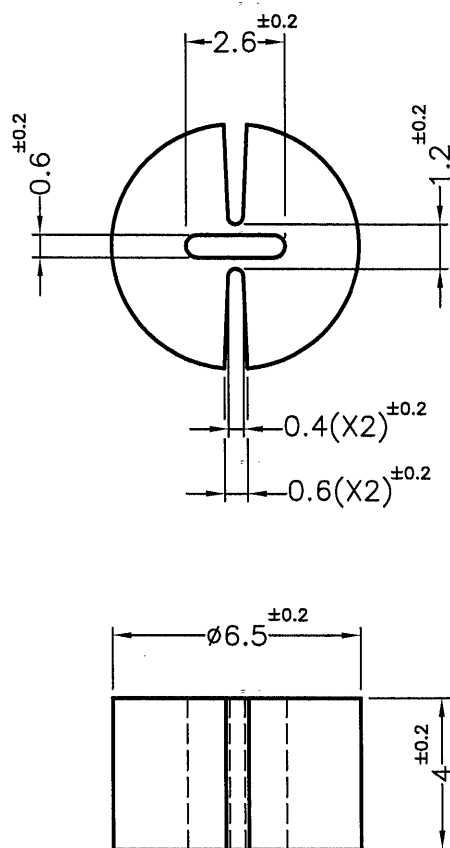

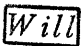



REVISIONS			
REV	DESCRIPTION	DATE	BY



NOTE:MADE OF EQUIVALENT MATERIAL.  
均可使用同等材質.

 <p>康揚企業股份有限公司 KANG YANG HARDWARE ENTERPRISE CO., LTD. 康揚塑膠(東莞)有限公司 KANG YANG PLASTIC(DONG GUAN) CO.,LTD. 康哲電腦配件(吳江)有限公司 KANG CHE COMPUTER COMPONENTS(WUJIANG) CO.,LTD.</p>	TITLE		LED HOLDER		SPEC. DWG.		
	MATERIAL		NYLON 66 UL94V-2		DATE		2018.04.26
	FINISH				DRAWN		T.C
	COLOR		BLACK		CHECK		
PART NUMBER		DRAWING NUMBER		UNLESS OTHERWISE SPECIFIED TOLERANCE		APPROVED	
LEDHA-4(B)		LEDHA-H		SEE ABOVE			
SIZE	SCALE	UNIT	REV				
A4	5:1	mm	A				