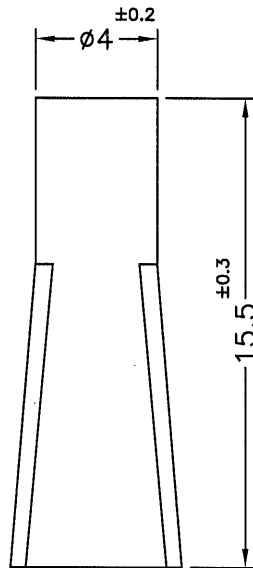
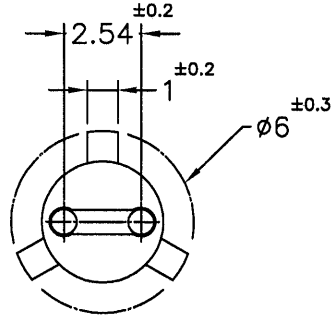


REVISIONS			
REV	DESCRIPTION	DATE	BY



PART NO.	MATERIAL	COLOR
LEDO-15.5	NYLON 66 UL94V-2	NATURAL
LEDO-15.5V0	NYLON 66 UL94V-0	NATURAL(WHITE)

NOTE:MADE OF EQUIVALENT MATERIAL.
使用同等材質

<p>康揚企業股份有限公司 KANG YANG HARDWARE ENTERPRISE CO., LTD. 康揚塑膠(東莞)有限公司 KANG YANG PLASTIC(DONG GUAN) CO., LTD. 康哲電腦配件(吳江)有限公司 KANG CHE COMPUTER COMPONENTS(WUJIANG) CO., LTD.</p>				TITLE	LED SPACER SUPPORT	SPEC. DWG.	
				MATERIAL	SEE ABOVE	DATE	2004.08.09
				FINISH		DRAWN	Linda
				COLOR	SEE ABOVE	CHECK	
PART NUMBER	SEE ABOVE	DRAWING NUMBER	LEDO-15.5	UNLESS OTHERWISE SPECIFIED TOLERANCE	SEE ABOVE	APPROVED	
SIZE	A4	SCALE	4:1	UNIT	mm	REV	B