
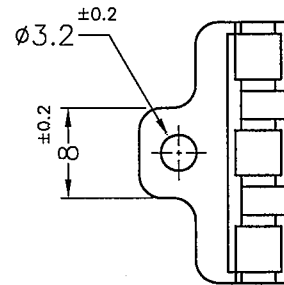
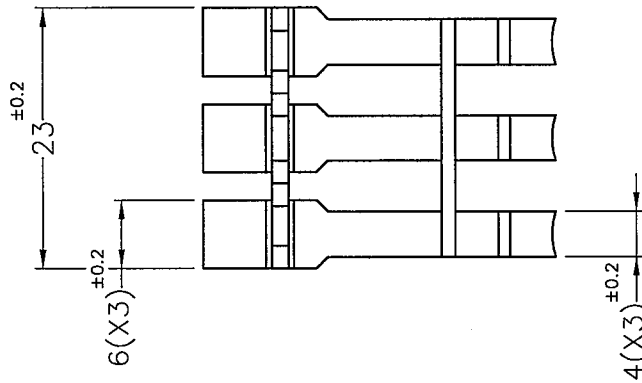
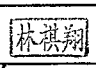
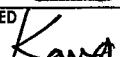
 NO PARTING LINE OR EJECTOR MARK ALLOW
 MIRROR FINISHED
 OTHERS ARE MATTE FINISHED



NOTE:MADE OF EQUIVALENT MATERIAL.
均可使用同等材質。



康揚企業股份有限公司
 KANG YANG HARDWARE ENTERPRISE CO., LTD.
 康揚塑膠(東莞)有限公司
 KANG YANG PLASTIC(DONG GUAN)CO.,LTD.
 康哲電腦配件(吳江)有限公司
 KANG CHE COMPUTER COMPONENTS(WUJIANG)CO.,LTD.

| | | | | | | | | |
|---|----------|---|---------------------------------------|-------------|----------|-----------|------------|-----------|
| PROPRIETARY AND CONFIDENTIAL THE INFORMATION CONTAINED IN THIS DRAWING IS THE SOLE PROPERTY OF KANG YANG HARDWARE ENTERPRISE CO. ANY REPRODUCTION IN PART OR AS A WHOLE WITHOUT THE WRITTEN PERMISSION OF KANG YANG HARDWARE ENTERPRISE CO. IS PROHIBITED. DO NOT SCALE DRAWING | DATE | 2021.01.22 | TITLE | LIGHT PIPE | DWG. NO. | LEM-267V0 | PART NO. | LEM-267V0 |
| | DRAWN | FORSEN | MATERIAL | PC UL94V-0 | SIZE | A4 | SPEC. DWG. | REV |
| | CHECKED |  | COLOR | TRANSPARENT | FINISH | | | A |
| | APPROVED |  | UNLESS OTHERWISE SPECIFIED TOLERANCE: | SEE ABOVE | SCALE: | 3:2 | UNIT | mm |