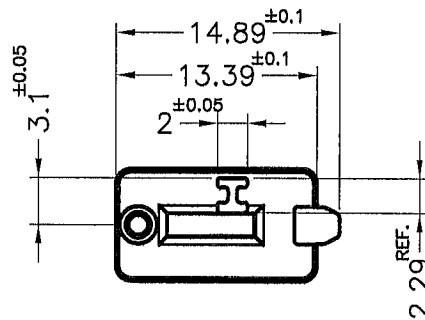
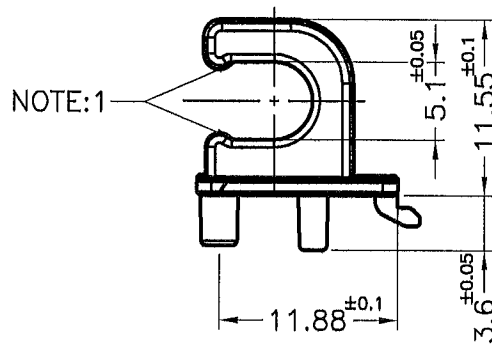
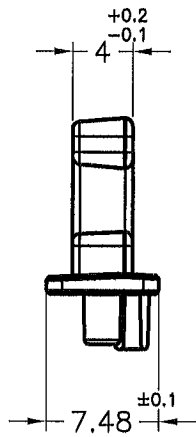


REVISIONS			
REV	DESCRIPTION	DATE	BY



NOTE:1. ThSHRINKING IS NORMAL STATUS.  
 內縮為正常現象。  
 2. MADE OF EQUIVALENT MATERIAL.  
 可使用同等材質。

				TITLE	WIRE MOUNT	SPEC. DWG.	
				MATERIAL	(FR3008) PC+ABS UL94V-0	DATE	2015.09.14
				FINISH		DRAWN	M.F
PART NUMBER	MISE-1V0(B)	DRAWING NUMBER	MISE-1	COLOR	BLACK	CHECK	
SIZE	A4	SCALE	2:1	UNIT	mm	REV	A
UNLESS OTHERWISE SPECIFIED TOLERANCE				SEE ABOVE	APPROVED		