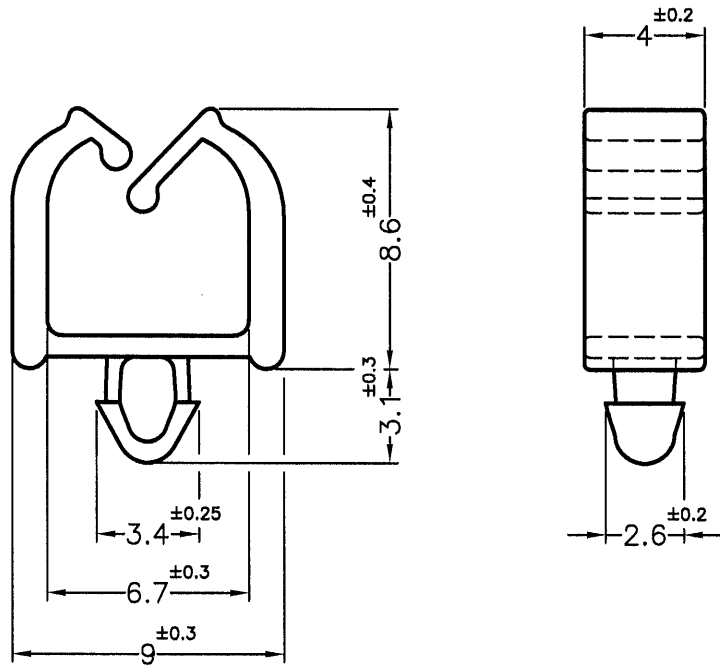

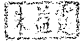



REVISIONS			
REV	DESCRIPTION	DATE	BY



HOLE IN P.C.B $\varnothing 3.0$
P.C.B THICKNESS 1.1mm

- NOTE: 1. SHRINKING IS NORMAL STATUS.
內縮為正常現象.
2. MADE OF EQUIVALENT MATERIAL.
均可使用同等材質.

 <p>康揚企業股份有限公司 KANG YANG HARDWARE ENTERPRISE CO., LTD. 康揚塑膠(東莞)有限公司 KANG YANG PLASTIC(DONG GUAN) CO., LTD. 康哲電腦配件(吳江)有限公司 KANG CHE COMPUTER COMPONENTS(WUJIANG) CO., LTD.</p>				TITLE	WIRE MOUNT	SPEC. DWG.	
				MATERIAL	NYLON 66 UL94V-2	DATE	2017.08.02
				FINISH		DRAWN	Y.C.P
				COLOR	BLACK	CHECK	
PART NUMBER	MWS-50(B)	DRAWING NUMBER	MWS-50	UNLESS OTHERWISE SPECIFIED TOLERANCE	SEE ABOVE	APPROVED	
SIZE	A4	SCALE	4:1	UNIT	mm	REV	A