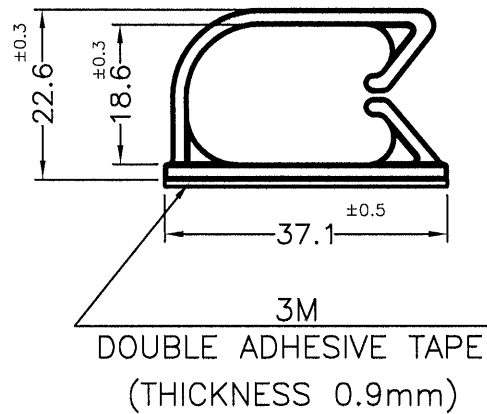
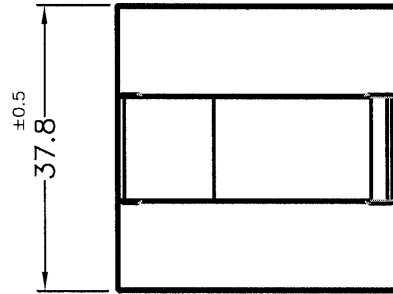
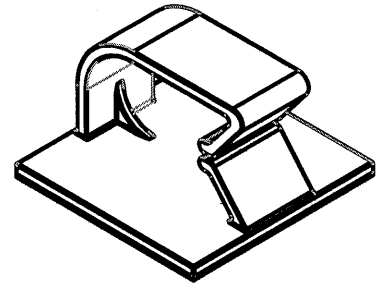



REVISIONS			
REV	DESCRIPTION	DATE	BY



- NOTE:1. IT IS HAND-CUT ADHESIVE TAPE, SO CAN NOT PERFECTLY STICK EVENLY. IT IS POSSIBLE TO HAVE SOME PORTION EXPOSED OR SHRINKING INWARD. THIS IS A NORMAL PHENOMENON.
 此為手工背膠, 貼附無法非常平整, 會有外露或內縮屬正常現象.
2. THE PRODUCT SIZE IS NOT INCLUDED THE SIZES OF ADHESIVE TAPE AND ITS LINER.
 產品尺寸皆不含背膠及離型紙.
3. THE PRODUCT SHRINKING IS NORMAL STATUS.
 產品內縮為正常現象.
4. MADE OF EQUIVALENT MATERIAL.
 可使用同等材質.

 康揚企業股份有限公司 KANG YANG HARDWARE ENTERPRISE CO., LTD. 康揚塑膠(東莞)有限公司 KANG YANG PLASTIC(DONG GUAN) CO., LTD. 康哲電腦配件(吳江)有限公司 KANG CHE COMPUTER COMPONENTS(WUJIANG) CO., LTD.				TITLE	WIRE MOUNT	SPEC. DWG.	
				MATERIAL	NYLON 66 UL94V-2	DATE	2018.12.03
				FINISH		DRAWN	FORSEN
				COLOR	NATURAL	CHECK	彭水承
PART NUMBER	MWS-54(3M)	DRAWING NUMBER	MWS-54	UNLESS OTHERWISE SPECIFIED TOLERANCE	SEE ABOVE	APPROVED	Kang
SIZE	A4	SCALE	1:1	UNIT	mm	REV	B