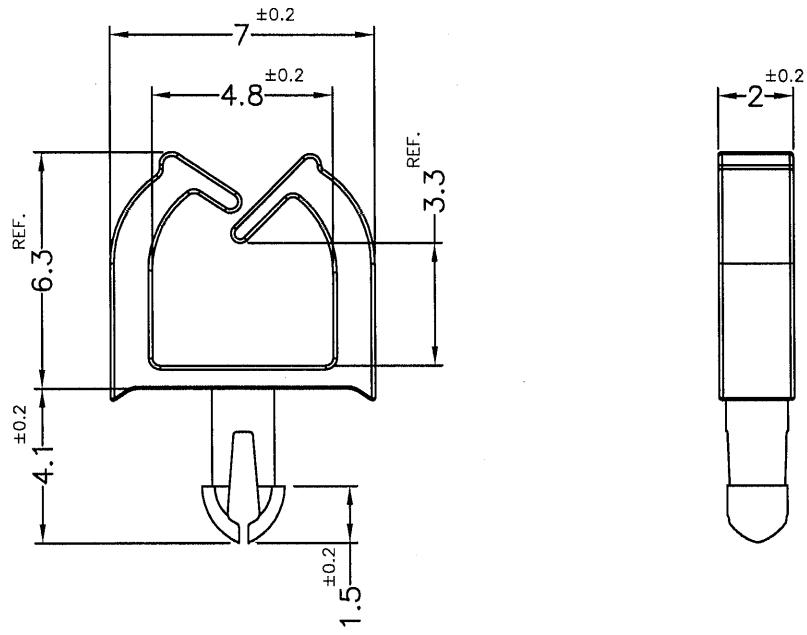
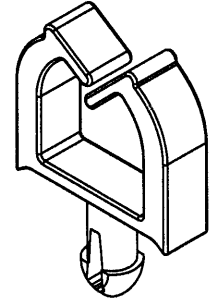



REVISIONS			
REV	DESCRIPTION	DATE	BY



MOUNTING HOLE 1.7 mm
THICKNESS 2.4 mm

NOTE:1. SHRINKING IS NORMAL STATUS.
內縮為正常現象。
2. MADE OF EQUIVALENT MATERIAL.
均可使用同等材質。

 <p>康揚企業股份有限公司 KANG YANG HARDWARE ENTERPRISE CO., LTD. 康揚塑膠(東莞)有限公司 KANG YANG PLASTIC(DONG GUAN) CO., LTD. 康哲電腦配件(吳江)有限公司 KANG CHE COMPUTER COMPONENTS(WUJIANG) CO., LTD.</p>		TITLE	WIRE MOUNT	SPEC. DWG.	
		MATERIAL	NYLON 66 UL94V-2	DATE	2016.08.16
		FINISH		DRAWN	Summer
		COLOR	NATURAL	CHECK	薛梅
PART NUMBER	MWSC-3	DRAWING NUMBER	MWSC-3	UNLESS OTHERWISE SPECIFIED TOLERANCE	SEE ABOVE
SIZE	A4	SCALE	5:1	UNIT	mm
REV	A	APPROVED	Kang		