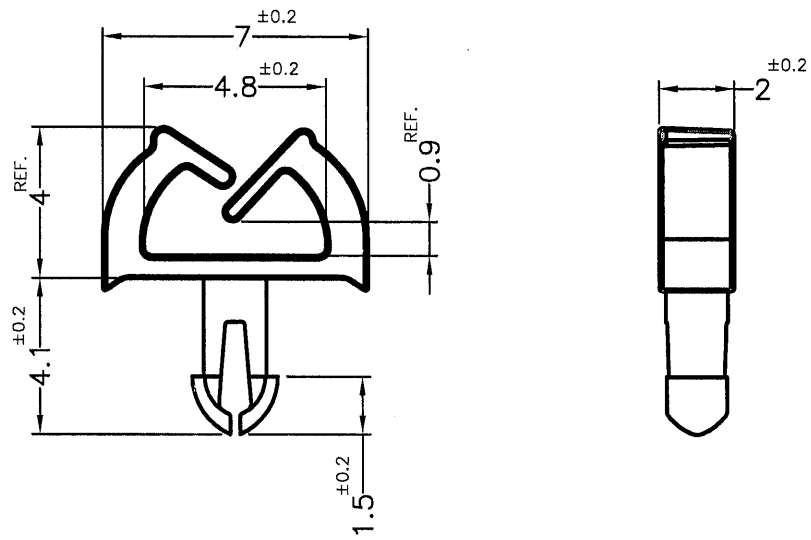


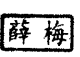

REV	DESCRIPTION	DATE	BY



MOUNTING HOLE 1.7 mm  
THICKNESS 2.4 mm

NOTE:1. SHRINKING IS NORMAL STATUS.  
內縮為正常現象。  
2. MADE OF EQUIVALENT MATERIAL.  
均可使用同等材質。


 康揚企業股份有限公司  
 KANG YANG HARDWARE ENTERPRISE CO., LTD.  
 康揚塑膠(東莞)有限公司  
 KANG YANG PLASTIC(DONG GUAN) CO., LTD.  
 康哲電腦配件(吳江)有限公司  
 KANG CHE COMPUTER COMPONENTS(WUJIANG) CO., LTD.

TITLE	WIRE MOUNT	SPEC. DWG.
MATERIAL	NYLON 66 UL94V-0	DATE 2016.02.09
HARDNESS		DRAWN T.C
COLOR	NATURAL(WHITE)	CHECK 
UNLESS OTHERWISE SPECIFIED TOLERANCE	SEE ABOVE	APPROVED 

PART NUMBER	MWSC-4V0	DRAWING NUMBER	MWSC-4
A4	SCALE 5:1	UNIT mm	REV A