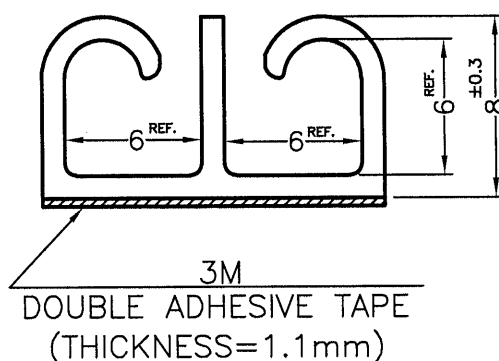
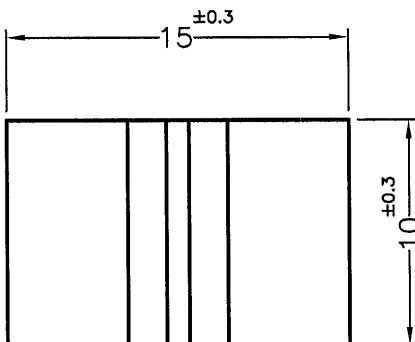


REVISIONS			
REV	DESCRIPTION	DATE	BY



PART NO.	COLOR
WLLT-1	NATURAL
WLLT-1(B)	BLACK

NOTE: 1. THE PRODUCT SIZE IS NOT INCLUDED THE SIZES OF ADHESIVE TAPE AND ITS LINER.



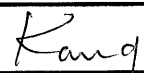
產品尺寸皆不含背膠及離型紙。

2. IT IS HAND-CUT ADHESIVE TAPE, SO CAN NOT PERFECTLY STICK EVENLY. IT IS POSSIBLE TO HAVE SOME PORTION EXPOSED OR SHRINKING INWARD. THIS IS A NORMAL PHENOMENON.

此為手工背膠,貼附無法非常平整,會有外露或內縮屬正常現象。

3. MADE OF EQUIVALENT MATERIAL.

可使用同等材質。

 <p>康揚企業股份有限公司 KANG YANG HARDWARE ENTERPRISE CO., LTD. 康揚塑膠(東莞)有限公司 KANG YANG PLASTIC(DONG GUAN) CO., LTD. 康哲電腦配件(吳江)有限公司 KANG CHE COMPUTER COMPONENTS(WUJIANG) CO., LTD.</p>		TITLE	WIRE MOUNT	SPEC. DWG.			
		MATERIAL	NYLON 66 UL94V-2	DATE	2009.07.08		
		FINISH		DRAWN	SAI		
		COLOR	SEE ABOVE	CHECK			
PART NUMBER	SEE ABOVE	DRAWING NUMBER	WLLT-1	UNLESS OTHERWISE SPECIFIED TOLERANCE	SEE ABOVE	APPROVED	
SIZE	A4	SCALE	3:1	UNIT	mm	REV	C