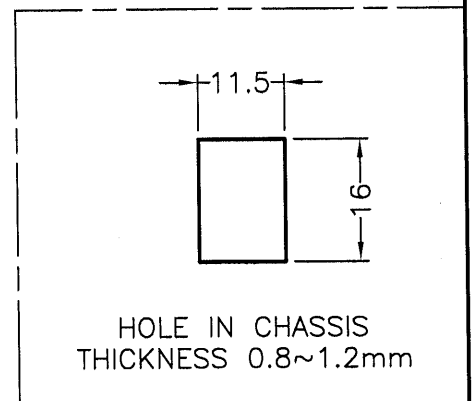


WILL FIT THESE CABLE	
UL/CSA DESCRIPTION	SIZE
SPT-1, SPT-2	3x5.6, 3.71x7.6

- NOTE: 1. SHRINKING IS NORMAL STATUS.
 內縮為正常現象。
 2. MADE OF EQUIVALENT MATERIAL.
 均可使用同等材質。
 3. THE COLOR BATCH TEST REPORT IS ONLY FOR TEST PURPOSE.
 色母環保檢測報告, 僅提供原始測試報告。



康揚企業股份有限公司
 KANG YANG HARDWARE ENTERPRISE CO., LTD.

ISO 9001
 ISO 14001
 QC 080000
 IATF 16949

PROPRIETARY AND CONFIDENTIAL THE INFORMATION CONTAINED IN THIS DRAWING IS THE SOLE PROPERTY OF KANG YANG HARDWARE ENTERPRISE CO. ANY REPRODUCTION IN PART OR AS A WHOLE WITHOUT THE WRITTEN PERMISSION OF KANG YANG HARDWARE ENTERPRISE CO. IS PROHIBITED. DO NOT SCALE DRAWING	DATE	2000.12.28	TITLE	SQUARE STRAIN RELIEF BUSHING	DWG. NO.	SB4F-6		PART NO.	SB4F-6
	DRAWN	JASON	MATERIAL	NYLON 66 UL94V-2	SIZE	A4	SPEC. DWG	REV	B
	CHECKED	<i>Jason</i>	COLOR	BLACK	FINISH				
	APPROVED	<i>Kang</i>	UNLESS OTHERWISE SPECIFIED TOLERANCE:	SEE ABOVE	SCALE:	1:1	UNIT	mm	SHEET