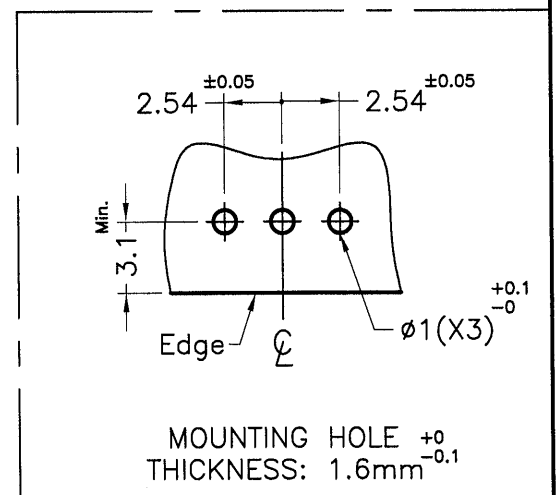


PART NO.	Dim.A
RECE-1(B)	1
RECE-1.5(B)	1.5
RECE-2(B)	2
RECE-2.5(B)	2.5
RECE-3(B)	3
RECE-3.5(B)	3.5

PART NO.	Dim.A
RECE-4(B)	4
RECE-4.5(B)	4.5
RECE-5(B)	5
RECE-5.5(B)	5.5
RECE-6(B)	6
RECE-7(B)	7

NOTE:1. SHRINKING IS NORMAL STATUS.  
 內縮為正常現象。  
 2. MADE OF EQUIVALENT MATERIAL.  
 均可使用同等材質。



康揚企業股份有限公司  
 KANG YANG HARDWARE ENTERPRISE CO., LTD.  
 康揚塑膠(東莞)有限公司  
 KANG YANG PLASTIC(DONG GUAN)CO.,LTD.  
 康哲電腦配件(吳江)有限公司  
 KANG CHE COMPUTER COMPONENTS(WUJIANG)CO.,LTD.

PROPRIETARY AND CONFIDENTIAL THE INFORMATION CONTAINED IN THIS DRAWING IS THE SOLE PROPERTY OF KANG YANG HARDWARE ENTERPRISE CO. ANY REPRODUCTION IN PART OR AS A WHOLE WITHOUT THE WRITTEN PERMISSION OF KANG YANG HARDWARE ENTERPRISE CO. IS PROHIBITED. DO NOT SCALE DRAWING	DATE	2014.01.24	TITLE	THREADED COVER		DWG. NO.	RECE-H		PART NO.	SEE ABOVE			
	DRAWN	K.W		MATERIAL	NYLON 66 UL94V-2								
	CHECKED	彭永承		COLOR	BLACK	FINISH			SIZE	A4	SPEC. DWG.	REV	B
	APPROVED	Kang		UNLESS OTHERWISE SPECIFIED TOLERANCE: SEE ABOVE		SCALE:	4:1	UNIT	mm	SHEET 1 OF 1			