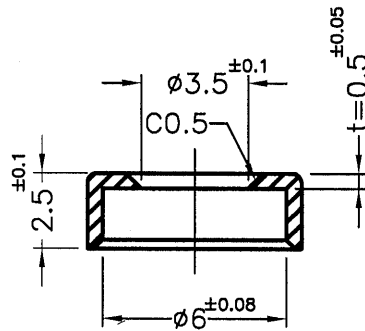
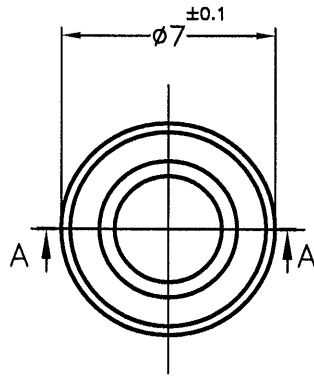




REVISIONS			
REV	DESCRIPTION	DATE	BY



SECTION A-A

PART NO.	COLOR
U-37V01	NATURAL(WHITE)
U-37V01(R)	RED

NOTE:MADE OF EQUIVALENT MATERIAL.  
使用同等材質

 <p>康揚企業股份有限公司 KANG YANG HARDWARE ENTERPRISE CO., LTD. 康揚塑膠(東莞)有限公司 KANG YANG PLASTIC(DONG GUAN )CO.,LTD. 康哲電腦配件(吳江)有限公司 KANG CHE COMPUTER COMPONENTS(WUJIANG) CO.,LTD.</p>	TITLE ROUND SPACER		SPEC. DWG	
	MATERIAL NYLON 66 UL94V-0		DATE 2017.08.07	
	FINISH		DRAWN Shean	
	COLOR SEE ABOVE		CHECK 	
PART NUMBER SEE ABOVE	DRAWING NUMBER U-37		UNLESS OTHERWISE SPECIFIED TOLERANCE SEE ABOVE	
SIZE A4	SCALE 4:1	UNIT mm	REV A	APPROVED 