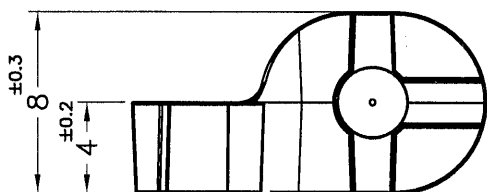
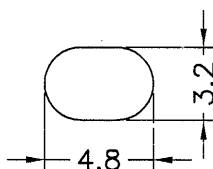
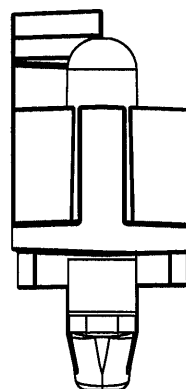
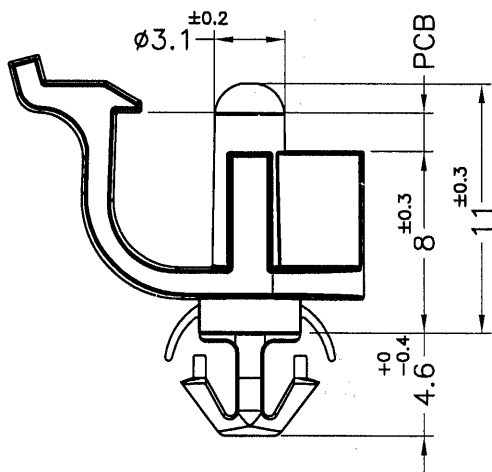


REVISIONS			
REV	DESCRIPTION	DATE	BY



PCB THICKNESS 1.6mm



MOUNTING HOLE  
THICKNESS 1.81mm

NOTE:MADE OF EQUIVALENT MATERIAL.  
均可使用同等材質.



康揚企業股份有限公司  
KANG YANG HARDWARE ENTERPRISE CO., LTD.  
康揚塑膠(東莞)有限公司  
KANG YANG PLASTIC(DONG GUAN) CO., LTD.  
康哲電腦配件(吳江)有限公司  
KANG CHE COMPUTER COMPONENTS(WUJIANG) CO., LTD.

TITLE SPACER SUPPORT		SPEC. DWG.	
MATERIAL NYLON 66 UL94V-2		DATE 2017.02.16	
FINISH		DRAWN Summer	
COLOR BLACK		CHECK 薛梅	
UNLESS OTHERWISE SPECIFIED TOLERANCE SEE ABOVE		APPROVED Kang	

PART NUMBER LCUAE-8R(B)		DRAWING NUMBER LCUAE-8R	
SIZE A4	SCALE 3:1	UNIT mm	REV A