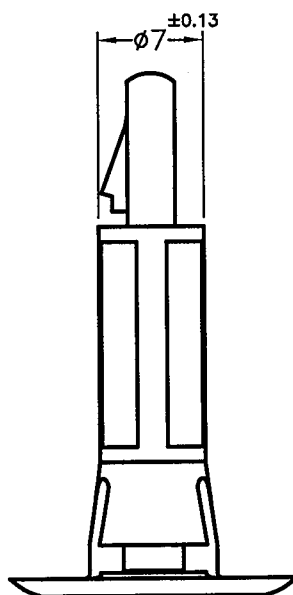
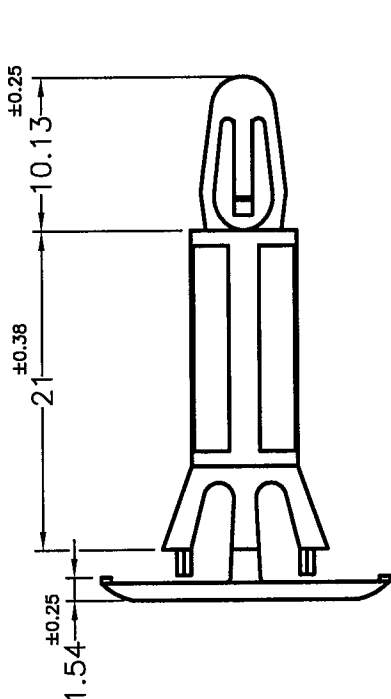


MOUNTING HOLE: 5.3mm
THICKNESS: 1.54mm



MOUNTING HOLE: 9.0mm
THICKNESS: 1.81mm

NOTE: 1. IT IS NORMAL IF IT IS SHRINKING.
內縮為正常現象。
2. MADE OF EQUIVALENT MATERIAL.
均可使用同等材質。



康揚企業股份有限公司
KANG YANG HARDWARE ENTERPRISE CO., LTD.
康揚塑膠(東莞)有限公司
KANG YANG PLASTIC(DONG GUAN)CO.,LTD.
康哲電腦配件(吳江)有限公司
KANG CHE COMPUTER COMPONENTS(WUJIANG)CO.,LTD.

PROPRIETARY AND CONFIDENTIAL THE INFORMATION CONTAINED IN THIS DRAWING IS THE SOLE PROPERTY OF KANG YANG HARDWARE ENTERPRISE CO., ANY REPRODUCTION IN PART OR AS A WHOLE WITHOUT THE WRITTEN PERMISSION OF KANG YANG HARDWARE ENTERPRISE CO. IS PROHIBITED. DO NOT SCALE DRAWING	DATE	2021.03.09	TITLE	CHASSIS MOUNT SUPPORT		DWG. NO.	RCWB-21		PART NO.	RCWB-21	
	DRAWN	L.K.J.	MATERIAL	NYLON 66 UL94V-2		SIZE	A4		SPEC. DWG.	REV A	
	CHECKED	林祺翔	COLOR	NATURAL	FINISH	SCALE: 2:1		UNIT	mm	SHEET 1 OF 1	
	APPROVED	Kang	UNLESS OTHERWISE SPECIFIED TOLERANCE: SEE ABOVE								