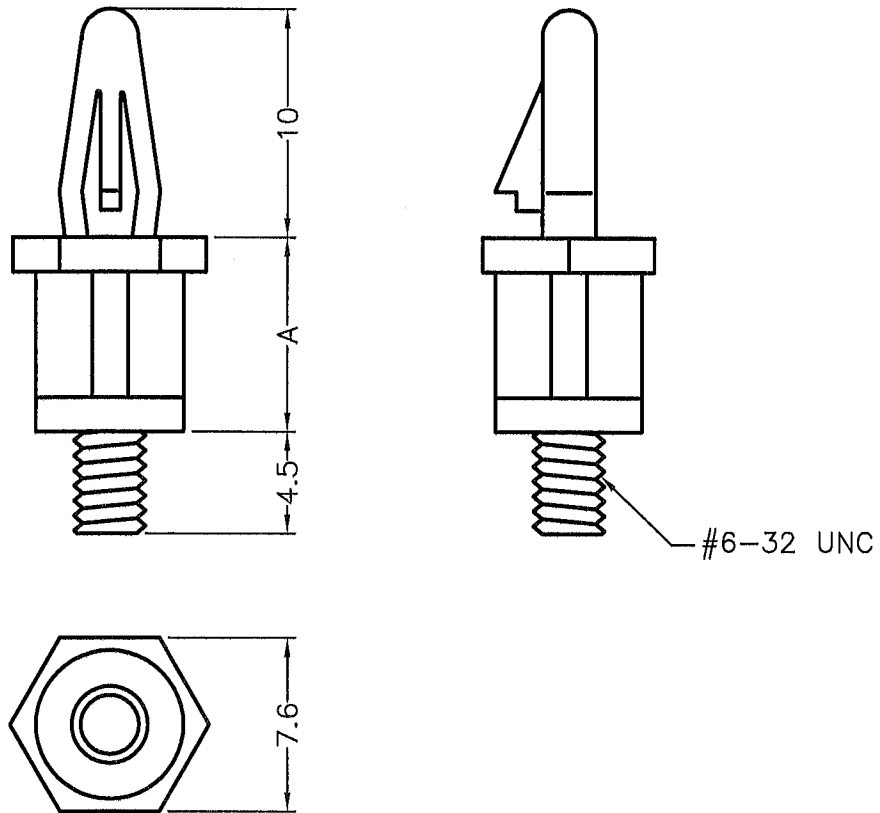


DIM.	TOL
5mm DOWN	±0.2
5~20mm	±0.3
20~40mm	±0.4
40~60mm	±0.5
60~100mm	±0.8
100mm UP	±1.0



REVISIONS			
REV	DESCRIPTION	DATE	BY

HOLE IN P.C.B Ø4.0  
P.C.B THICKNESS 1.6mm



PART NO.	A
SCB-8.5S	8.5
SCB-10SA	10.0

NOTE:MADE OF EQUIVALENT MATERIAL.  
均可使用同等材質。

 <p>康揚企業股份有限公司 KANG YANG HARDWARE ENTERPRISE CO., LTD. 康揚塑膠(東莞)有限公司 KANG YANG PLASTIC(DONG GUAN) CO.,LTD. 康哲電腦配件(吳江)有限公司 KANG CHE COMPUTER COMPONENTS(WUJIANG) CO.,LTD.</p>	TITLE SPACER SUPPORT		SPEC. DWG.	
	MATERIAL NYLON 66 UL94V-2		DATE	1997.12.04
	FINISH		DRAWN	JASON
	COLOR NATURAL		CHECK	
PART NUMBER SEE ABOVE	DRAWING NUMBER SCB-SH		UNLESS OTHERWISE SPECIFIED TOLERANCE SEE ABOVE	
SIZE A4	SCALE 3:1	UNIT mm	REV A	APPROVED 