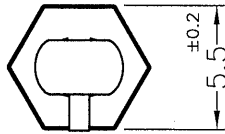
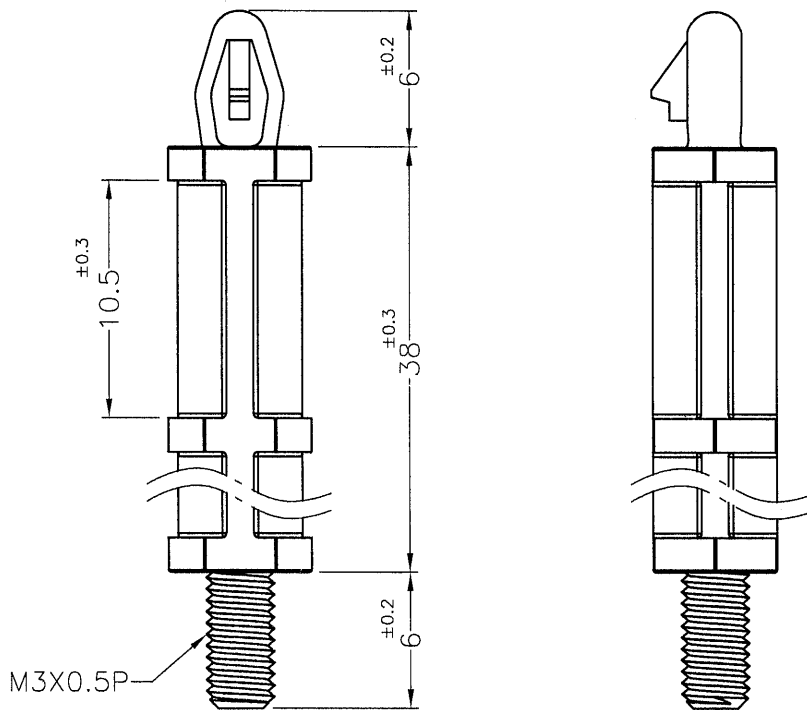


REVISIONS			
REV	DESCRIPTION	DATE	BY





HOLE IN P.C.B:  $\phi 3.4\text{mm}$   
P.C.B THICKNESS: 1.6mm



PART NO.	MATERIAL	COLOR
SCB3-38	NYLON 66 UL94V-2	NATURAL
SCB3-38V0	NYLON 66 UL94V-0	NATURAL(WHITE)

NOTE:MADE OF EQUIVALENT MATERIAL.  
均可使用同等材質.

 <p>康揚企業股份有限公司 KANG YANG HARDWARE ENTERPRISE CO., LTD. 康揚塑膠(東莞)有限公司 KANG YANG PLASTIC(DONG GUAN )CO.,LTD. 康哲電腦配件(吳江)有限公司 KANG CHE COMPUTER COMPONENTS(WUJIANG) CO.,LTD.</p>				TITLE	SPEC. DWG.
				MATERIAL	DATE
				FINISH	DRAWN
				COLOR	CHECK
PART NUMBER	DRAWING NUMBER	UNLESS OTHERWISE SPECIFIED TOLERANCE	APPROVED		
SEE ABOVE	SCB3-38	SEE ABOVE			
SIZE	SCALE	UNIT	REV		
A4	3:1	mm	A		
		SEE ABOVE	