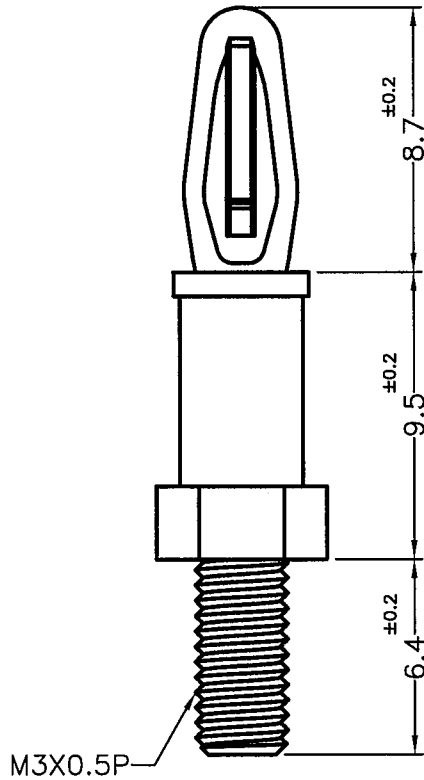


HOLE IN P.C.B:  $\phi 3.18\text{mm}^{\pm 0.08}$   
P.C.B THICKNESS: 1.57mm



NOTE: MADE OF EQUIVALENT MATERIAL.  
均可使用同等材質。



康揚企業股份有限公司  
KANG YANG HARDWARE ENTERPRISE CO., LTD.  
康揚塑膠(東莞)有限公司  
KANG YANG PLASTIC(DONG GUAN)CO.,LTD.  
康哲電腦配件(吳江)有限公司  
KANG CHE COMPUTER COMPONENTS(WUJIANG)CO.,LTD.

PROPRIETARY AND CONFIDENTIAL THE INFORMATION CONTAINED IN THIS DRAWING IS THE SOLE PROPERTY OF KANG YANG HARDWARE ENTERPRISE CO. ANY REPRODUCTION IN PART OR AS A WHOLE WITHOUT THE WRITTEN PERMISSION OF KANG YANG HARDWARE ENTERPRISE CO. IS PROHIBITED.	DATE	TITLE		DWG. NO.		PART NO.	
	2019.11.15	SPACER SUPPORT		SCB3-9.5		SCB3-9.5	
	DRAWN	MATERIAL		SIZE	SPEC. DWG.	REV	A
	FORSEN	NYLON 66 UL94V-2					
CHECKED	COLOR	FINISH		SCALE: 4:1	UNIT	mm	SHEET 1 OF 1
	NATURAL						
APPROVED	UNLESS OTHERWISE SPECIFIED		TOLERANCE:				
DO NOT SCALE DRAWING	SEE ABOVE						