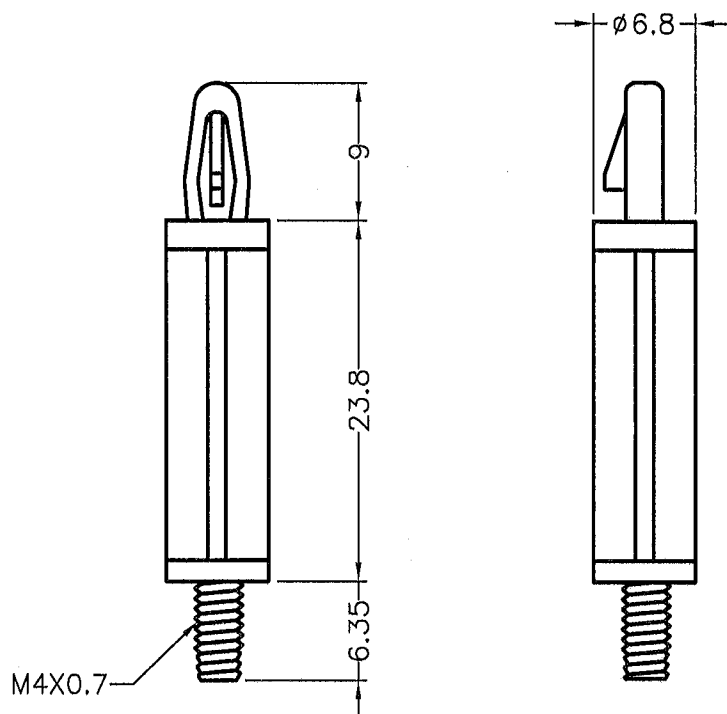





| DIM. | TOL. |
|----------|------|
| 5mm DOWN | ±0.2 |
| 5~20mm | ±0.3 |
| 20~40mm | ±0.4 |
| 40~60mm | ±0.5 |
| 60~100mm | ±0.8 |
| 100mm UP | ±1.0 |

| REVISIONS | | | |
|-----------|-------------|------|----|
| REV | DESCRIPTION | DATE | BY |
| | | | |
| | | | |

HOLE IN P.C.B $\phi 4$
P.C.B THICKNESS 1.6



NOTE: MADE OF EQUIVALENT MATERIAL.
均可使用同等材質。

| | | | | | | | |
|--|-----------|----------------|-----------|--------------------------------------|------------------|------------|---|
|  康揚企業股份有限公司 KANG YANG HARDWARE ENTERPRISE CO., LTD. 康揚塑膠(東莞)有限公司 KANG YANG PLASTIC(DONG GUAN) CO., LTD. ISO 9001 ISO 14001 QC 080000 康哲電腦配件(吳江)有限公司 KANG CHE COMPUTER COMPONENTS(WUJIANG) CO., LTD. | | | | TITLE | SPACER SUPPORT | SPEC. DWG. | |
| | | | | MATERIAL | NYLON 66 UL94V-2 | DATE | 2006.06.28 |
| | | | | FINISH | | DRAWN | KEVIN |
| | | | | COLOR | NATURAL | CHECK |  |
| PART NUMBER | SCB4-23.8 | DRAWING NUMBER | SCB4-23.8 | UNLESS OTHERWISE SPECIFIED TOLERANCE | SEE ABOVE | APPROVED |  |
| SIZE | A4 | SCALE | 2:1 | UNIT | mm | REV | A |