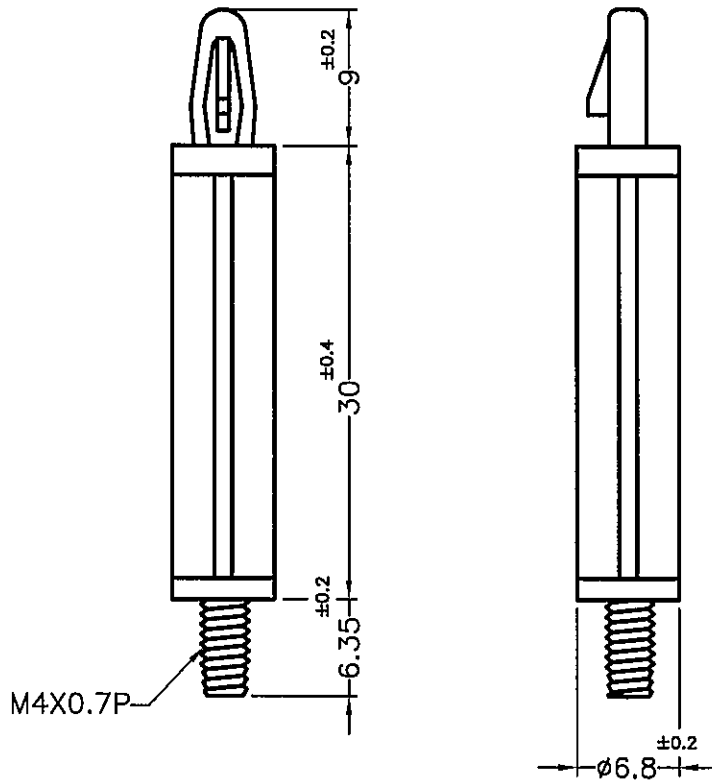

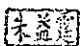



| REVISIONS | | | |
|-----------|-------------|------|----|
| REV | DESCRIPTION | DATE | BY |
| | | | |
| | | | |

HOLE IN P.C.B $\phi 4$
P.C.B THICKNESS 1.6mm



NOTE:MADE OF EQUIVALENT MATERIAL.
均可使用同等材質。

| | | | | | |
|---|---------|----------------|---|--------------------------------------|---|
|  <p>康揚企業股份有限公司 KANG YANG HARDWARE ENTERPRISE CO., LTD. 康揚塑膠(東莞)有限公司 KANG YANG PLASTIC(DONG GUAN) CO., LTD. 康哲電腦配件(吳江)有限公司 KANG CHEE COMPUTER COMPONENTS(WUJIANG) CO., LTD.</p> | | TITLE | THREADED SPACER | SPEC. DWG. | |
| | | MATERIAL | NYLON 66 UL94V-2 | DATE | 2016.02.16 |
| | | FINISH | | DRAWN | Y.C.P |
| | | COLOR | NATURAL | CHECK |  |
| PART NUMBER | SCB4-30 | DRAWING NUMBER | SCB4-30 | UNLESS OTHERWISE SPECIFIED TOLERANCE | SEE ABOVE |
| SIZE | A4 | SCALE | 2:1 | UNIT | mm |
| REV | A | APPROVED |  | | |