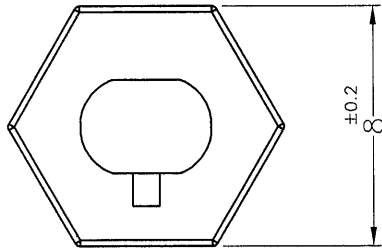
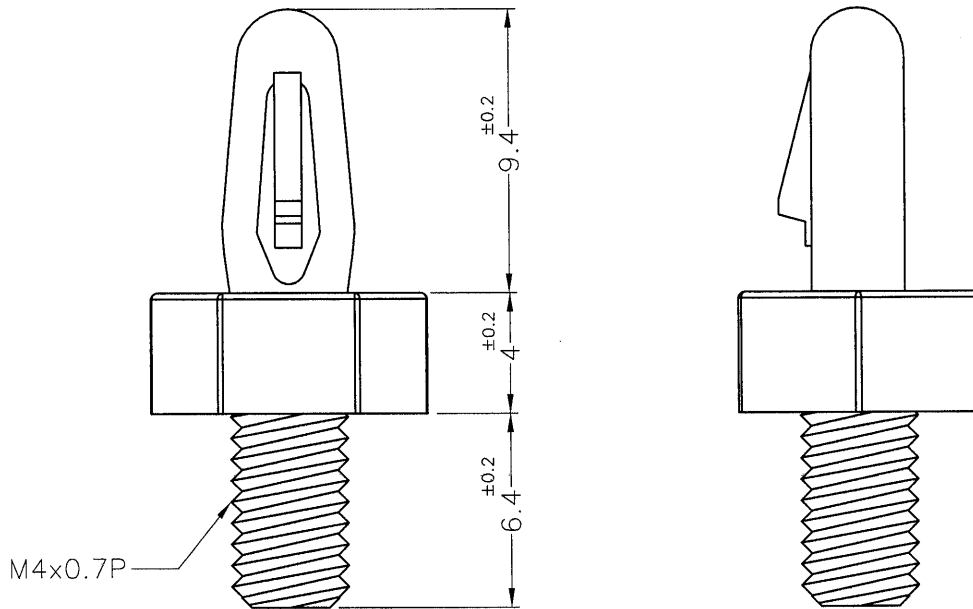




REVISIONS			
REV	DESCRIPTION	DATE	BY



MOUNTING HOLE: $\phi 4\text{mm}$
THICKNESS: 2.0mm



NOTE: MADE OF EQUIVALENT MATERIAL.
均可使用同等材質。

 <p>康揚企業股份有限公司 KANG YANG HARDWARE ENTERPRISE CO., LTD. 康揚塑膠(東莞)有限公司 KANG YANG PLASTIC(DONG GUAN) CO., LTD. 康哲電腦配件(吳江)有限公司 KANG CHE COMPUTER COMPONENTS(WUJIANG) CO., LTD.</p>		TITLE	SPACER SUPPORT	SPEC. DWG.	
		MATERIAL	NYLON 66 UL94V-2	DATE	2017.10.24
		FINISH		DRAWN	C. S. L
		COLOR	BLACK	CHECK	
PART NUMBER	SCB4-4H(B)	DRAWING NUMBER	SCB4-4H(B)	UNLESS OTHERWISE SPECIFIED TOLERANCE	SEE ABOVE
SIZE	A4	SCALE	4:1	UNIT	mm
REV	A	APPROVED	