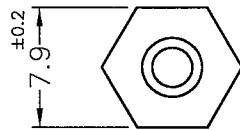
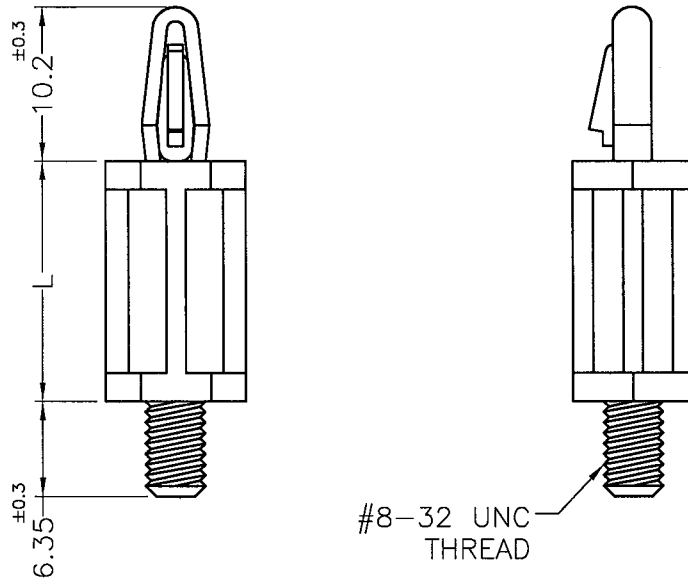


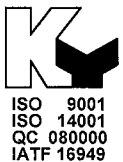
DIM.	TOL
L ≤ 10	±0.2
10 < L ≤ 30	±0.3
30 < L ≤ 50	±0.5
50 < L ≤ 100	±0.7
100 < L ≤ 250	±1.2
ABOVE 250	±1.5

HOLE IN P.C.B: $\phi 4.0\text{mm}$
 THICKNESS: 1.6mm
 (RECOMMEND FOR REFERENCE ONLY)



PART NO.	L
SCB832-6.35V0	6.35
SCB832-9.5V0	9.52
SCB832-12.7V0	12.7
SCB832-15.9V0	15.9
SCB832-19V0	19.05
SCB832-22.2V0	22.22
SCB832-25.4V0	25.4

NOTE:MADE OF EQUIVALENT MATERIAL.
 可使用同等材質.



康揚企業股份有限公司
 KANG YANG HARDWARE ENTERPRISE CO., LTD.
 康揚塑膠(東莞)有限公司
 KANG YANG PLASTIC(DONG GUAN)CO.,LTD.
 康哲電腦配件(吳江)有限公司
 KANG CHE COMPUTER COMPONENTS(WUJIANG)CO.,LTD.

康揚塑膠五金(泰國)有限公司
 บริษัท คัง หยาง ฮาร์ดแวร์ (ไทยแลนด์) จำกัด
 KANG YANG HARDWARE (THAILAND) CO., LTD.
 康揚越南有限公司
 CÔNG TY TNHH KANG YANG VIỆT NAM
 KANG YANG VIETNAM CO., LTD.

PROPRIETARY AND CONFIDENTIAL THE INFORMATION CONTAINED IN THIS DRAWING IS THE SOLE PROPERTY OF KANG YANG HARDWARE ENTERPRISE CO. ANY REPRODUCTION IN PART OR AS A WHOLE WITHOUT THE WRITTEN PERMISSION OF KANG YANG HARDWARE ENTERPRISE CO. IS PROHIBITED. DO NOT SCALE DRAWING	DATE	TITLE	DWG. NO.	PART NO.	
	2016.09.07	PCB SPACER	SCB832-HV0	SEE ABOVE	
	DRAWN	MATERIAL			
	T.C	NYLON 66 UL94V-0	SIZE	SPEC. DWG.	REV
CHECKED	COLOR	A4			
APPROVED	UNLESS OTHERWISE SPECIFIED TOLERANCE: SEE ABOVE	NATURAL(WHITE)	SCALE: 2:1	UNIT mm	SHEET 1 OF 1