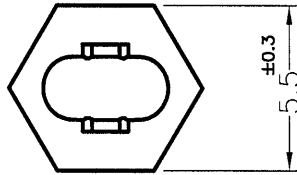
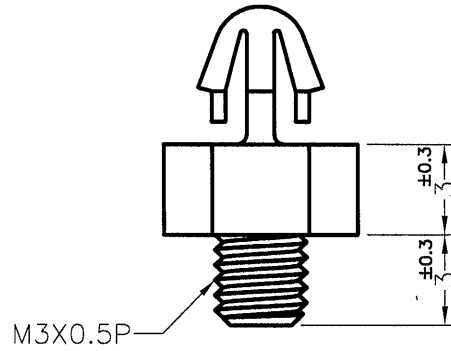



REVISIONS			
REV	DESCRIPTION	DATE	BY



PCB HOLE:  $\phi 3.0$   
THICKNESS: 1.6mm



NOTE: MADE OF EQUIVALENT MATERIAL.  
可使用同等材質.

 <p>康揚企業股份有限公司 KANG YANG HARDWARE ENTERPRISE CO., LTD. 康揚塑膠(東莞)有限公司 KANG YANG PLASTIC(DONG GUAN) CO., LTD. 康哲電腦配件(吳江)有限公司 KANG CHE COMPUTER COMPONENTS(WUJIANG) CO., LTD.</p>				TITLE	SPACER SUPPORT	TITLE	SPEC. DWG.
				MATERIAL	NYLON 66 UL94V-2	DATE	2016.06.30
				FINISH		DRAWN	C. S. L
				COLOR	NATURAL	CHECK	<u>Will</u>
PART NUMBER	SCBA-3S	DRAWING NUMBER	SCBA-3S	UNLESS OTHERWISE SPECIFIED TOLERANCE	SEE ABOVE	APPROVED	<i>Kang</i>
SIZE	A4	SCALE	4:1	UNIT	mm	REV	B