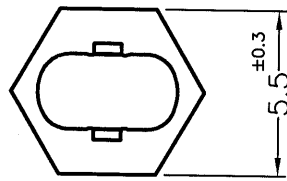
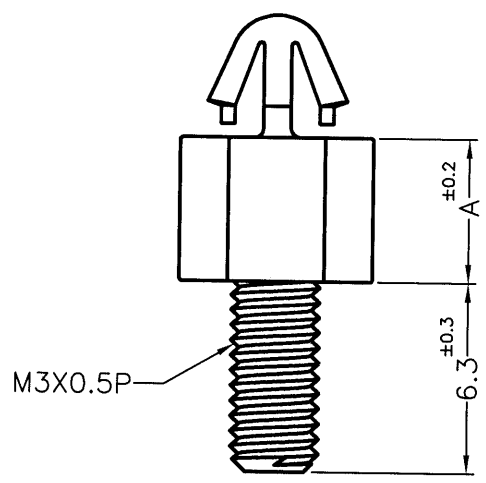


REVISIONS			
REV	DESCRIPTION	DATE	BY




HOLE IN P.C.B  $\phi 3.5$   
P.C.B THICKNESS 0.8mm



PART NO.	A
SCBC-3	3.0
SCBC-4.75	4.76

NOTE:1. SHRINKING IS NORMAL STATUS.  
內縮為正常現象。  
2. MADE OF EQUIVALENT MATERIAL.  
均可使用同等材質。

 <p>康揚企業股份有限公司 KANG YANG HARDWARE ENTERPRISE CO., LTD. 康揚塑膠(東莞)有限公司 KANG YANG PLASTIC(DONG GUAN) CO., LTD. 康哲電腦配件(吳江)有限公司 KANG CHE COMPUTER COMPONENTS(WUJIANG) CO., LTD.</p>	TITLE		SPEC. DWG.	
	SPACER SUPPORT		MATERIAL	DATE
	NYLON 66 UL94V-2		2017.08.22	FINISH
	NATURAL		Y.C.P	DRAWN
COLOR		CHECK	APPROVED	
SEE ABOVE		SCBC-H		彭永承
SIZE	SCALE	UNIT	REV	Kang
A4	NONE	mm	B	
PART NUMBER		DRAWING NUMBER		UNLESS OTHERWISE SPECIFIED TOLERANCE
SEE ABOVE		SCBC-H		SEE ABOVE