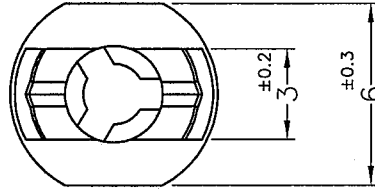
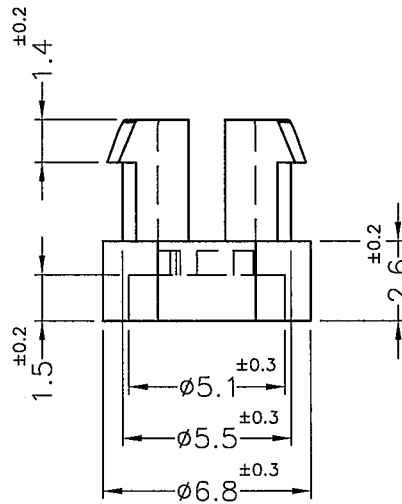


REVISIONS			
REV	DESCRIPTION	DATE	BY




MOUNTING HOLE: $\phi 5.5\text{mm}$
 CHASSIS THICKNESS: 2.3~2.5mm



PART NO.	COLOR
SOR-1(N)	NATURAL
SOR-1	BLACK

- NOTE: 1. SHRINKING IS NORMAL STATUS.
 內縮為正常現象。
 2. MADE OF EQUIVALENT MATERIAL.
 均可使用同等材質。
 3. THE COLOR BATCH TEST REPORT IS ONLY FOR FIRST LOT TEST.
 色母環保檢測報告, 僅提供原始測試報告。

 <p>康揚企業股份有限公司 KANG YANG HARDWARE ENTERPRISE CO., LTD. 康揚塑膠(東莞)有限公司 KANG YANG PLASTIC(DONG GUAN) CO., LTD. 康哲電腦配件(吳江)有限公司 KANG CHE COMPUTER COMPONENTS(WUJIANG) CO., LTD.</p>				TITLE	SPEC. DWG.
				MATERIAL	DATE
				FINISH	DRAWN
				COLOR	CHECK
PART NUMBER	DRAWING NUMBER	UNLESS OTHERWISE SPECIFIED TOLERANCE	APPROVED		
SEE ABOVE	SOR-1	SEE ABOVE	AMY		
SIZE	SCALE	UNIT	REV		
A4	4:1	mm	E		
TITLE		DATE			
SPACER SUPPORT		2004.08.12			
MATERIAL		DRAWN			
NYLON 66 UL94V-2		AMY			
FINISH		CHECK			
COLOR		APPROVED			
SEE ABOVE		AMY			
UNLESS OTHERWISE SPECIFIED TOLERANCE		APPROVED			
SEE ABOVE		AMY			