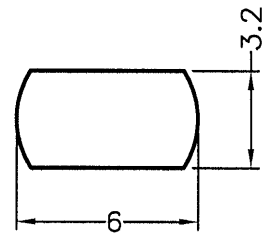
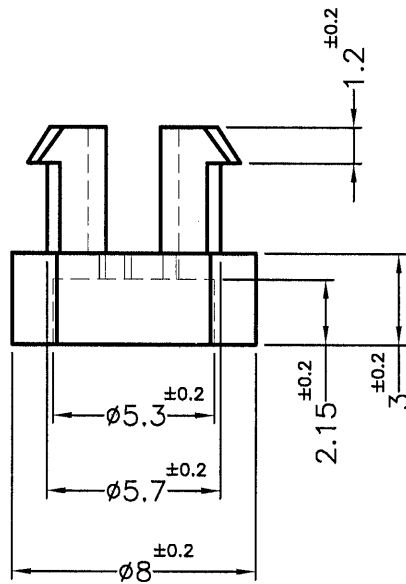
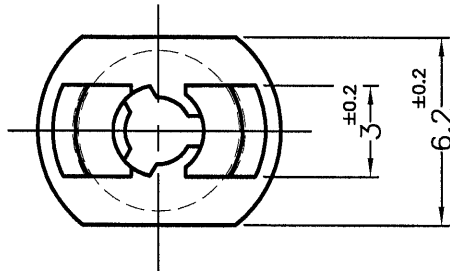


REVISIONS			
REV	DESCRIPTION	DATE	BY


FOR M2.5 OR M2.6 SCREW



MOUNTING HOLE THICKNESS 2.8mm(MAX.)

PART NO.	COLOR
SOR-3(B)	BLACK
SOR-3(G)	GRAY

NOTE:MADE OF EQUIVALENT MATERIAL.
均可使用同等材質.

 康揚企業股份有限公司 KANG YANG HARDWARE ENTERPRISE CO., LTD. 康揚塑膠(東莞)有限公司 KANG YANG PLASTIC(DONG GUAN) CO.,LTD. 康哲電腦配件(吳江)有限公司 KANG CHE COMPUTER COMPONENTS(WUJIANG) CO.,LTD.		TITLE	SPACER SUPPORT	TITLE	SPEC. DWG.
		MATERIAL	NYLON 66 UL94V-2	DATE	2016.06.17
PART NUMBER		FINISH		DRAWN	QJNG
SEE ABOVE		COLOR	SEE ABOVE	CHECK	薛梅
DRAWING NUMBER		UNLESS OTHERWISE SPECIFIED TOLERANCE	SEE ABOVE	APPROVED	Kang
SIZE	SCALE	UNIT	REV		
A4	4:1	mm	A		