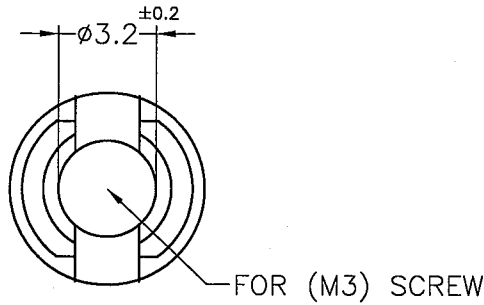
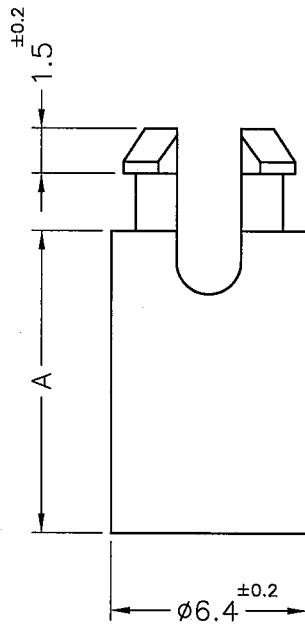


DIM.	TOL
5mm DOWN	±0.2
5~20mm	±0.3
20~40mm	±0.4
40~60mm	±0.5
60~100mm	±0.8
100mm UP	±1.0



MOUNTING HOLE: $\phi 4.8\text{mm}$
 THICKNESS: 1.2~1.7mm
 (RECOMMEND FOR REFERENCE ONLY)



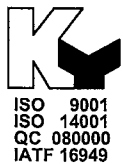
PART NO.	A
SS-2	2.0
SS-2.4	2.4
SS-3	3.2
SS-3.5	3.5
SS-4	4.0
SS-4.5	4.5
SS-5	4.8
SS-5A	5.0
SS-6	6.4
SS-8	7.9
SS-10	9.5
SS-11	11.1
SS-12	12.7
SS-12A	12.0
SS-14	14.2
SS-14.5	14.55
SS-15	15.0
SS-16	15.9
SS-17.2	17.2
SS-19	19.1
SS-22	22.2
SS-25	25.4

NOTE: 1. SHRINKING IS NORMAL STATUS.

內縮為正常現象。

2. MADE OF EQUIVALENT MATERIAL.

均可使用同等材質。



康揚企業股份有限公司
 KANG YANG HARDWARE ENTERPRISE CO., LTD.

康揚塑膠(東莞)有限公司
 KANG YANG PLASTIC(DONG GUAN)CO.,LTD.

康哲電腦配件(吳江)有限公司
 KANG CHE COMPUTER COMPONENTS(WUJIANG)CO.,LTD.

康揚塑膠五金(泰國)有限公司

บริษัท สังกะยา ฮาร์ดแวร์ (ไทยแลนด์) จำกัด
 KANG YANG HARDWARE (THAILAND) CO., LTD.

康揚越南有限公司

CÔNG TY TNHH KANG YANG VIỆT NAM
 KANG YANG VIETNAM CO., LTD.

PROPRIETARY AND CONFIDENTIAL THE INFORMATION CONTAINED IN THIS DRAWING IS THE SOLE PROPERTY OF KANG YANG HARDWARE ENTERPRISE CO. ANY REPRODUCTION IN PART OR AS A WHOLE WITHOUT THE WRITTEN PERMISSION OF KANG YANG HARDWARE ENTERPRISE CO. IS PROHIBITED. DO NOT SCALE DRAWING	DATE	2001.03.07	TITLE	PCB SPACER	DWG. NO.	SS-H	PART NO.	SEE ABOVE
	DRAWN	JASON	MATERIAL	NYLON 66 UL94V-2	SIZE	A4	SPEC. DWG.	REV
	CHECKED		COLOR	NATURAL	FINISH			E
	APPROVED		UNLESS OTHERWISE SPECIFIED TOLERANCE:	SEE ABOVE	SCALE: NONE	UNIT	mm	SHEET 1 OF 1