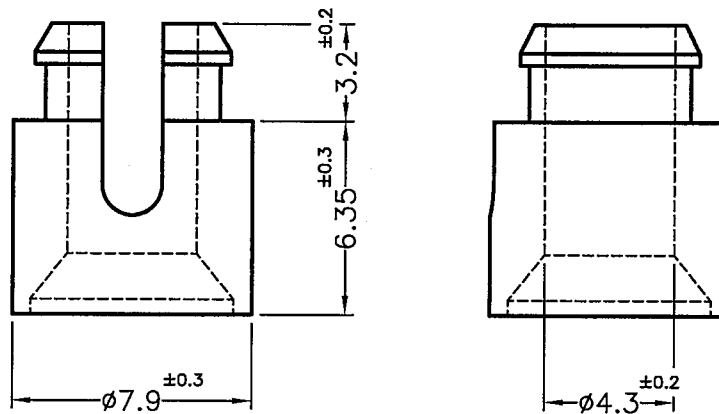


MOUNTING HOLE  $\phi 6.0$   
THICKNESS 1.6mm



NOTE:1. SHRINKING IS NORMAL STATUS.  
內縮為正常現象。  
2. MADE OF EQUIVALENT MATERIAL.  
均可使用同等材質。



康揚企業股份有限公司  
KANG YANG HARDWARE ENTERPRISE CO., LTD.  
康揚塑膠(東莞)有限公司  
KANG YANG PLASTIC(DONG GUAN)CO.,LTD.  
康哲電腦配件(吳江)有限公司  
KANG CHE COMPUTER COMPONENTS(WUJIANG)CO.,LTD.

PROPRIETARY AND CONFIDENTIAL THE INFORMATION CONTAINED IN THIS DRAWING IS THE SOLE PROPERTY OF KANG YANG HARDWARE ENTERPRISE CO. ANY REPRODUCTION IN PART OR AS A WHOLE WITHOUT THE WRITTEN PERMISSION OF KANG YANG HARDWARE ENTERPRISE CO. IS PROHIBITED.	DATE	2022.03.29	TITLE	SPACER SUPPORT		DWG. NO.	SSUA4-HLVO		PART NO.	SSUA4-6.3LVO		
	DRAWN	Y.C.P		MATERIAL	NYLON 66 UL94V-0		SIZE	SPEC. DWG		REV	A	
	CHECKED	林祺翔		COLOR	NATURAL(WHITE)	FINISH			SCALE:	4:1	UNIT	mm
	APPROVED	Kang		UNLESS OTHERWISE SPECIFIED TOLERANCE:	SEE ABOVE						SHEET 1 OF 1	

DO NOT SCALE DRAWING