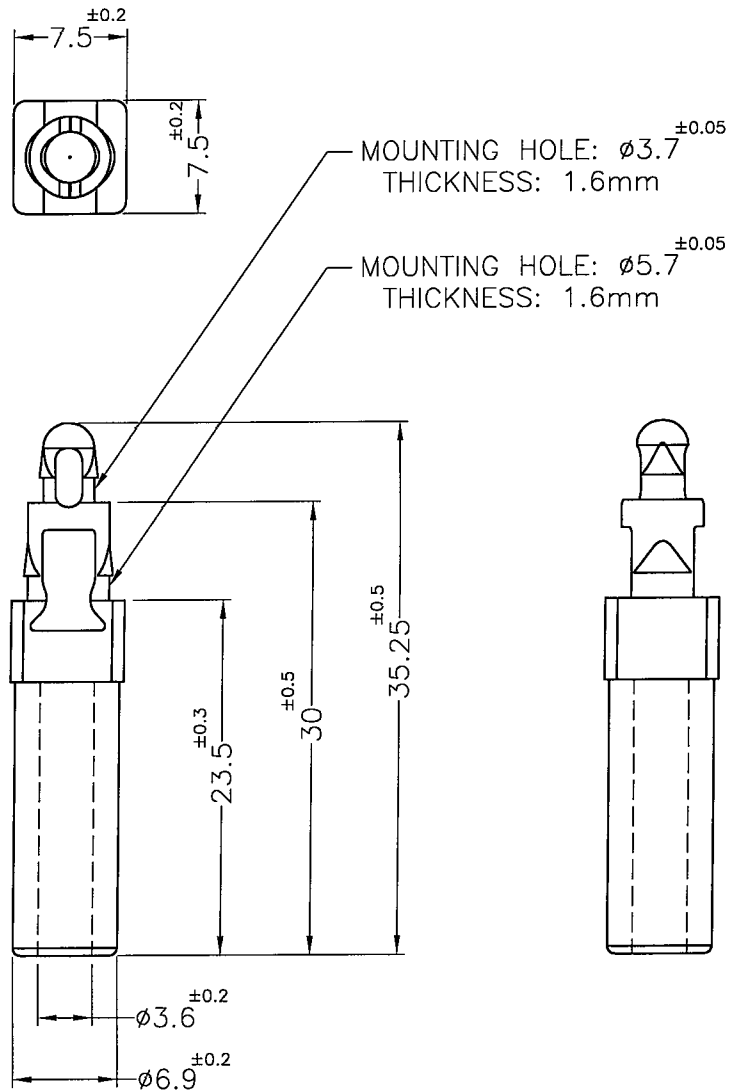


WITH HALOGEN
有鹵料件



NOTE: 1. SHRINKING IS NORMAL STATUS.
內縮為正常現象。
2. MADE OF EQUIVALENT MATERIAL.
均可使用同等材質。



康揚企業股份有限公司
KANG YANG HARDWARE ENTERPRISE CO., LTD.
康揚塑膠(東莞)有限公司
KANG YANG PLASTIC(DONG GUAN)CO.,LTD.
康哲電腦配件(吳江)有限公司
KANG CHE COMPUTER COMPONENTS(WUJIANG)CO.,LTD.

PROPRIETARY AND CONFIDENTIAL THE INFORMATION CONTAINED IN THIS DRAWING IS THE SOLE PROPERTY OF KANG YANG HARDWARE ENTERPRISE CO. ANY REPRODUCTION IN PART OR AS A WHOLE WITHOUT THE WRITTEN PERMISSION OF KANG YANG HARDWARE ENTERPRISE CO. IS PROHIBITED. DO NOT SCALE DRAWING	DATE	2019.05.30	TITLE		DWG. NO.		PART NO.	
	DRAWN	C.S.L	MATERIAL		THCS-2		THCS-2V0	
	CHECKED	李柏宥	COLOR	FINISH	SIZE	SPEC. DWG	REV	
	APPROVED	Kang	NATURAL		A4		A	
	UNLESS OTHERWISE SPECIFIED TOLERANCE:			SEE ABOVE		SCALE: 2:1	UNIT	mm