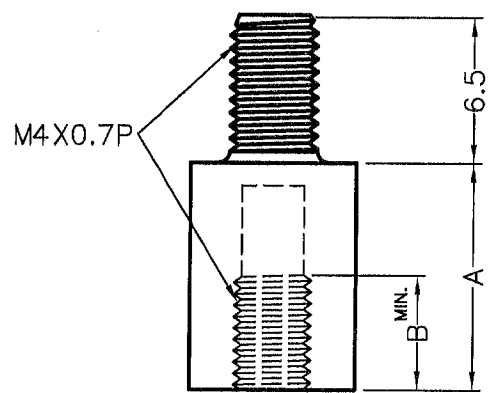
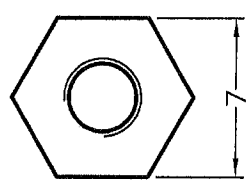



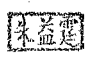
| DIM.     | TOL. |
|----------|------|
| 5mm DOWN | ±0.2 |
| 5~20mm   | ±0.3 |
| 20~40mm  | ±0.4 |
| 40~60mm  | ±0.5 |
| 60~100mm | ±0.8 |
| 100mm UP | ±1.0 |

| REVISIONS |             |      |    |
|-----------|-------------|------|----|
| REV       | DESCRIPTION | DATE | BY |
|           |             |      |    |
|           |             |      |    |



| PART NO. | A    | B   |
|----------|------|-----|
| TP4-6    | 6.0  | 4.0 |
| TP4-8    | 8.0  | 6.0 |
| TP4-10   | 10.0 | 6.0 |
| TP4-12   | 12.0 | 6.0 |
| TP4-13   | 13.0 | 6.0 |
| TP4-14   | 14.0 | 6.0 |
| TP4-15   | 15.0 | 6.0 |
| TP4-16   | 16.0 | 7.0 |
| TP4-17   | 17.0 | 7.0 |
| TP4-19   | 19.0 | 7.0 |
| TP4-20   | 20.0 | 8.0 |
| TP4-25   | 25.0 | 8.0 |
| TP4-27   | 27.0 | 8.0 |
| TP4-30   | 30.0 | 8.0 |
| TP4-34   | 34.0 | 8.0 |
| TP4-35   | 35.0 | 8.0 |
| TP4-37   | 37.0 | 8.0 |
| TP4-40   | 40.0 | 8.0 |
| TP4-45   | 45.5 | 8.0 |
| TP4-57   | 57.0 | 8.0 |

NOTE: All measurement does not include gate which raises under 0.3mm.

|  |       |                |     |                                      |   |            |
|--|-------|----------------|-----|--------------------------------------|---|------------|
|  康揚企業股份有限公司<br>KANG YANG HARDWARE ENTERPRISE CO., LTD.<br>康揚塑膠(東莞)有限公司<br>KANG YANG PLASTIC(DONG GUAN) CO., LTD.<br>康哲電腦配件(吳江)有限公司<br>KANG CHE COMPUTER COMPONENTS(WUJIANG) CO., LTD. |       |                |     | TITLE                                | THREADED SPACER   | SPEC. DWG. |
|  |       |                |     | MATERIAL                             | NYLON 66 UL94V-2  | DATE       |
| PART NUMBER  |       | DRAWING NUMBER |     | FINISH                               | DRAWN   |            |
| SEE ABOVE  |       | TP4-           |     |                                      | Linda   |            |
| SIZE   | SCALE | UNIT           | REV | COLOR                                | CHECK   |            |
| A4   | 3:1   | mm             | E   | NATURAL                              |  |            |
|  |       |                |     | UNLESS OTHERWISE SPECIFIED TOLERANCE | APPROVED  |            |
|  |       |                |     | SEE ABOVE                            | Kang  |            |