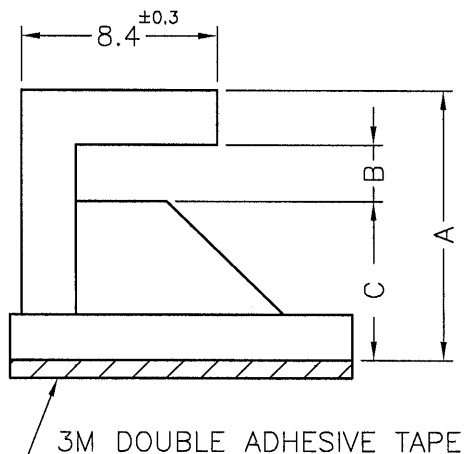
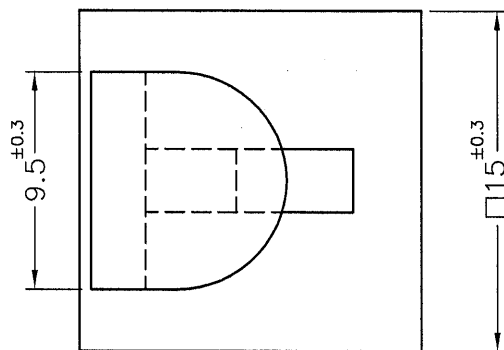


成型尺寸	公差
5mm以下	±0.2
5~20mm	±0.3
20~40mm	±0.4
40~60mm	±0.5
60~100mm	±0.8
100mm以上	±1.0

REVISIONS			
REV	DESCRIPTION	DATE	BY



PART NO.	A	B	C	COLOR	DOUBLE ADHESIVE TAPE
UB-6A(3M)	10.4	2.6	5.1	NATURAL	3M THICKNESS=0.9mm
UB-8A(3M)	11.9	2.4	7.0	NATURAL	
UB-8AB(3M)				BLACK	
UB-10A(3M)	14.1	2.5	9.1	NATURAL	
UB-12A(3M)	16.1	2.5	11.1	NATURAL	

NOTE: 1. THE PRODUCT SIZE IS NOT INCLUDED THE SIZES OF ADHESIVE TAPE AND ITS LINER.

產品尺寸皆不含背膠及離型紙。

2. IT IS HAND-CUT ADHESIVE TAPE, SO CAN NOT PERFECTLY STICK EVENLY. IT IS POSSIBLE TO HAVE SOME PORTION EXPOSED OR SHRINKING INWARD. THIS IS A NORMAL PHENOMENON.

此為手工背膠,貼附無法非常平整,會有外露或內縮屬正常現象。

3. MADE OF EQUIVALENT MATERIAL.

均可使用同等材質。

<p>康揚企業股份有限公司 KANG YANG HARDWARE ENTERPRISE CO., LTD. 康揚塑膠(東莞)有限公司 KANG YANG PLASTIC(DONG GUAN) CO., LTD. 康哲電腦配件(吳江)有限公司 KANG CHE COMPUTER COMPONENTS(WUJIANG) CO., LTD.</p>				TITLE	SPACER SUPPORT	TITLE	SPEC. DWG. 2/2
				MATERIAL	NYLON 66 UL94V-2	DATE	1999.07.21
				FINISH		DRAWN	林秀儉
PART NUMBER	SEE ABOVE	DRAWING NUMBER	UB-AH	COLOR	SEE ABOVE	CHECK	
SIZE	A4	SCALE	NONE	UNIT	mm	REV	E
				UNLESS OTHERWISE SPECIFIED TOLERANCE	SEE ABOVE	APPROVED	