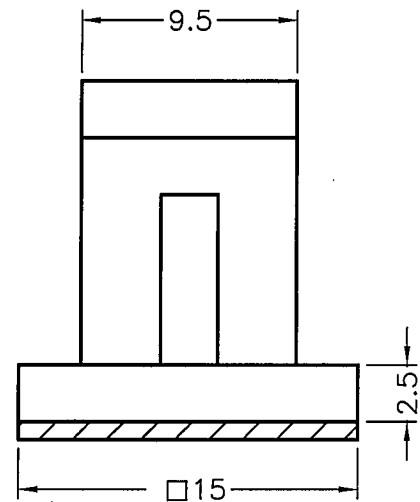
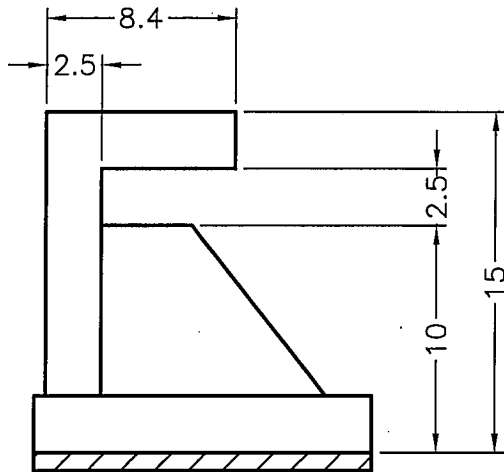


成型尺寸	公差
5mm以下	±0.2
5~20mm	±0.3
20~40mm	±0.4
40~60mm	±0.5
60~100mm	±0.8
100mm以上	±1.0

REVISIONS			
REV	DESCRIPTION	DATE	BY



3M DOUBLE ADHESIVE TAPE  
(THICKNESS 0.9mm)  
註: 高度不含背膠及離型紙厚度

- ◎ 與背膠貼合處須為清潔面，避免造成貼合後有不平整現象。
- ◎ 建議使用溫度於15°C至38°C不可低於10°C使用  
若環境為不可避免之低溫情形，  
建議下列方法以提升膠之初期黏著效果
  1. 提高貼合時壓力與時間
  2. 於貼合處使用暖氣加溫
  3. 使用前將產品烘烤加溫至40°C，4小時
  4. 以熱壓機進行貼合
- ◎ 溫度低於10°C使用時太乾冷會造成脆化或黏性變差。
- ◎ 開封後需密封包裝防止水分流失造成脆化或黏性變差。

Component - Plastics E41938

E I DUPONT DE NEMOURS & CO INC  
ENGINEERING POLYMERS, CHESTNUT RUN PLAZA, PO BOX 80713, WILMINGTON DE 19080  
101(r9)(f1), 101F(r9)(f1), 101L(r9)(f1), E101(r9)(f1), E101L(r9)(f1)  
Polyamide 66 (PA66), "Zytel", furnished as pellets

Color	Min Thk (mm)	Flame Class	HWI	HAI	RTI Elec	RTI Imp	RTI Str
ALL	0.71	V-2	4	0	130	75	85
	1.5	V-2	3	0	130	75	85
	3.0	V-2	2	0	130	75	85
	6.0	V-2	2	0	130	75	85

Comparative Tracking Index (CTI): 0  
Dielectric Strength (kV/mm): 13  
High-Voltage Arc Tracking Rate (HVTR): 0  
Dimensional Stability (%): -  
Inclined Plane Tracking (IPT): -  
Volume Resistivity (10<sup>4</sup> ohm-cm): 14  
High Volt, Low Current Arc Resis (D495): 6

(f1) - Suitable for outdoor use with respect to exposure to Ultraviolet Light, Water Exposure and Immersion in accordance with UL 746C.

NOTE - (1) Material designations that are color pigmented may be followed by suffix letters and numbers. (2) Material designations may be prefixed by "ZYT" for Zytel or "MIN" for Minlon or "DEL" for Delrin or "CRA" for Crastin or "RYN" for Rynle or "ETPV" for ETPV grades.

® - Virgin and regrind up to 50% by weight inclusive, have the same basic material characteristics for ALL colors down to 0.71mm. For thickness 0.40mm to 0.70mm the same basic material characteristics exist with the exception of generic RTIs for all properties and Regrind exceeding 25% is limited to V-2 Flammability for WT, RD, BK.

ANSI/UL 94 small-scale test data does not pertain to building materials, furnishings and related contents. ANSI/UL 94 small-scale test data is intended solely for determining the flammability of plastic materials used in the components and parts of end-product devices and appliances, where the acceptability of the combination is determined by UL.

Report Date: 1998-07-29  
Last Revised: 2010-07-27

© 2011 Underwriters Laboratories Inc.



 康揚企業股份有限公司 KANG YANG HARDWARE ENTERPRISE CO., LTD. 康揚塑膠(東莞)有限公司 KANG YANG PLASTIC(DONG GUAN) CO., LTD. 康哲電腦配件(吳江)有限公司 KANG CHE COMPUTER COMPONENTS(WUJIANG) CO., LTD.	TITLE		PC板間隔柱		產品規格圖面		
	MATERIAL		NYLON 66 UL94V-2		DATE		2004.04.19
	FINISH		NATURAL		DRAWN		S.J.C.
	COLOR		NATURAL		CHECK		朱益霆
PART NUMBER	DRAWING NUMBER		UNLESS OTHERWISE SPECIFIED TOLERANCE		APPROVED		Kang
UB-11A(3M)	UB-11A(3M)		SEE ABOVE				
SIZE	SCALE	UNIT	REV				
A4	3:1	mm	B				