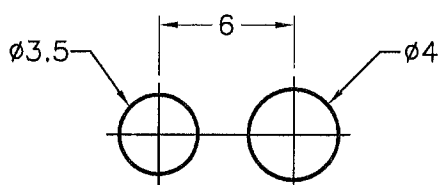
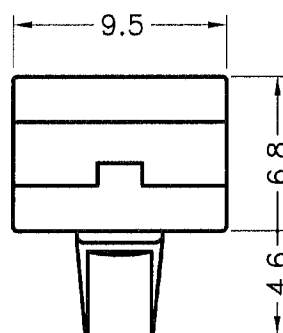
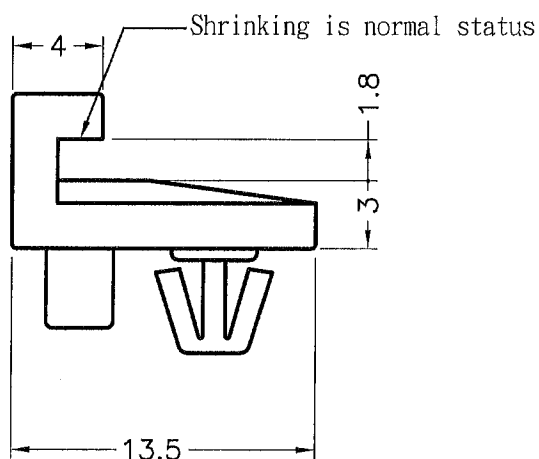


DTM.	TOL
5mm DOWN	±0.2
5~20mm	±0.3
20~40mm	±0.4
40~60mm	±0.5
60~100mm	±0.8
100mm UP	±1.0

REVISIONS			
REV	DESCRIPTION	DATE	BY



MOUNTING CHASSIS

NOTE: All measurement does not include gate which raises under 0.3mm.



康揚企業股份有限公司  
KANG YANG HARDWARE ENTERPRISE CO., LTD.  
康揚塑膠(東莞)有限公司  
KANG YANG PLASTIC(DONG GUAN) CO., LTD.  
康哲電腦配件(吳江)有限公司  
KANG CHE COMPUTER COMPONENTS(WUJIANG) CO., LTD.

TITLE		SPACER SUPPORT		SPEC. DWG.	
MATERIAL		NYLON 66 UL94V-2		DATE	
FINISH				DRAWN	
COLOR		NATURAL		CHECK	
PART NUMBER		DRAWING NUMBER		APPROVED	
UB-3S		UB-3S			
SIZE	SCALE	UNIT	REV		
A4	3:1	mm	A		
UNLESS OTHERWISE SPECIFIED TOLERANCE				SEE ABOVE	
				Kang	