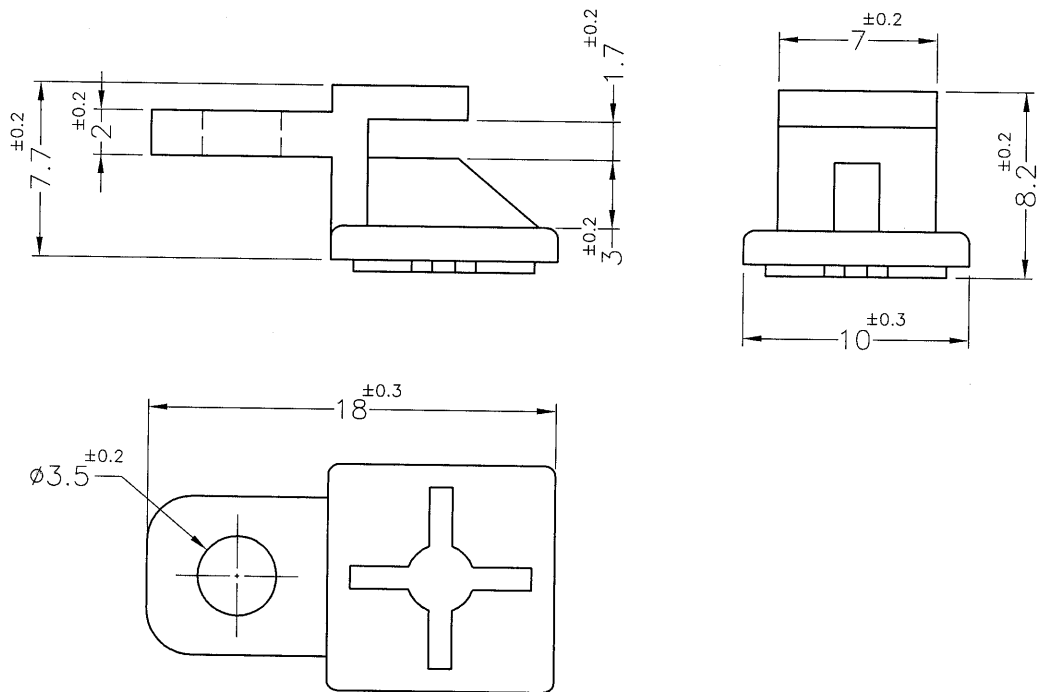




REVISIONS			
REV	DESCRIPTION	DATE	BY



NOTE:1. SHRINKING IS NORMAL STATUS.  
 內縮為正常現象。  
 2. MADE OF EQUIVALENT MATERIAL.  
 均可使用同等材質。

 康揚企業股份有限公司 KANG YANG HARDWARE ENTERPRISE CO., LTD. 康揚塑膠(東莞)有限公司 KANG YANG PLASTIC(DONG GUAN) CO., LTD. 康哲電腦配件(吳江)有限公司 KANG CHE COMPUTER COMPONENTS(WUJIANG) CO., LTD.		TITLE	SPACER SUPPORT	SPEC. DWG.							
		MATERIAL	NYLON 66 UL94V-0	DATE	2010.06.09						
		FINISH		DRAWN	Eric						
PART NUMBER	UBD-1V0	DRAWING NUMBER	UBD-1	COLOR	NATURAL(WHITE)	CHECK					
SIZE	A4	SCALE	3:1	UNIT	mm	REV	A	UNLESS OTHERWISE SPECIFIED TOLERANCE	SEE ABOVE	APPROVED	