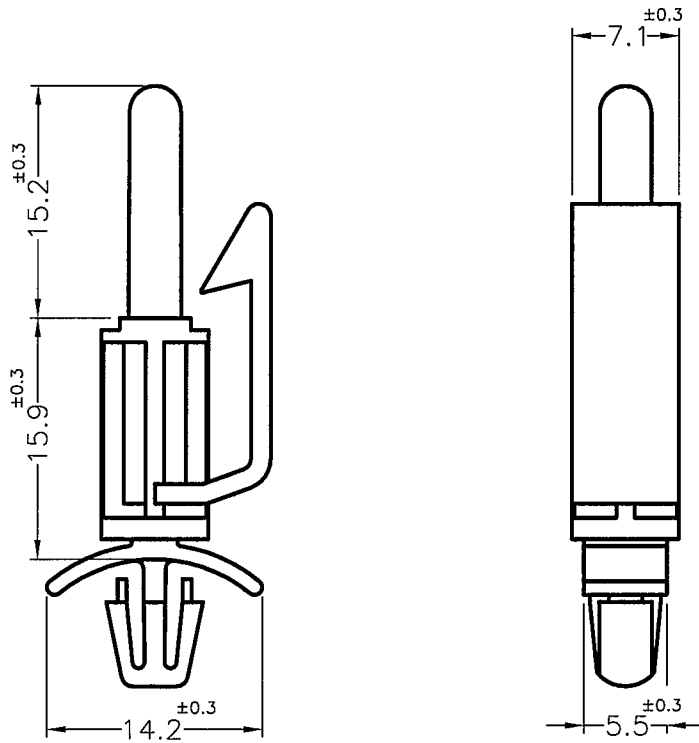


P.C.B HOLE $\phi 4.0$
THICKNESS 1.6mm



P.C.B HOLE $\phi 4.8$
THICKNESS 1.6mm

- NOTE: 1. SHRINKING IS NORMAL STATUS.
內縮為正常現象.
2. MADE OF EQUIVALENT MATERIAL.
均可使用同等材質.



康揚企業股份有限公司
KANG YANG HARDWARE ENTERPRISE CO., LTD.
康揚塑膠(東莞)有限公司
KANG YANG PLASTIC(DONG GUAN)CO., LTD.
康哲電腦配件(吳江)有限公司
KANG CHE COMPUTER COMPONENTS(WUJIANG)CO., LTD.

PROPRIETARY AND CONFIDENTIAL THE INFORMATION CONTAINED IN THIS DRAWING IS THE SOLE PROPERTY OF KANG YANG HARDWARE ENTERPRISE CO. ANY REPRODUCTION IN PART OR AS A WHOLE WITHOUT THE WRITTEN PERMISSION OF KANG YANG HARDWARE ENTERPRISE CO. IS PROHIBITED. DO NOT SCALE DRAWING	DATE	2008.10.01	TITLE	SPACER SUPPORT	DWG. NO.	ULCB-15	PART NO.	ULCB-15
	DRAWN	TONY	MATERIAL	NYLON 66 UL94V-2	SIZE	A4	SPEC. DWG	REV
	CHECKED	彭永承	COLOR	NATURAL	FINISH			B
	APPROVED		UNLESS OTHERWISE SPECIFIED TOLERANCE: SEE ABOVE		SCALE: 2:1	UNIT	mm	SHEET 1 OF 1