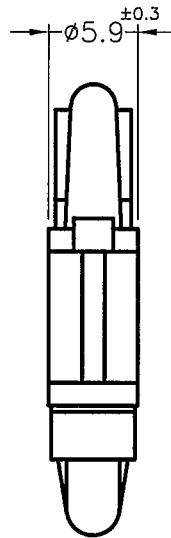
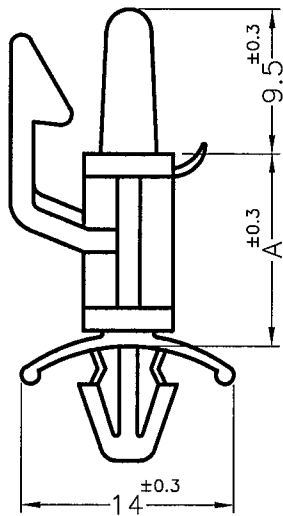
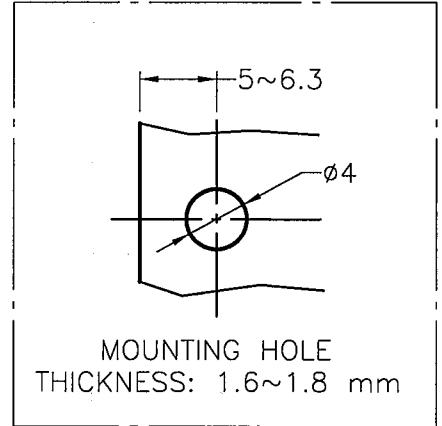
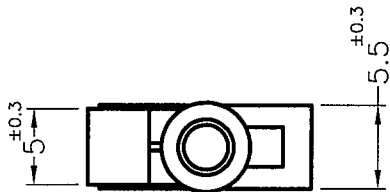


REVISIONS			
REV	DESCRIPTION	DATE	BY



PART NO.	A
ULCB-9	9.5
ULCB-10	10.0
ULCB-12	12.7
ULCB-16	15.9
ULCB-19.1	19.1
ULCB-23	23.0

MOUNTING HOLE: $\phi 4.8$ mm
THICKNESS: 0.5~2.0 mm

- NOTE: 1. SHRINKING IS NORMAL STATUS.
內縮為正常現象。
2. MADE OF EQUIVALENT MATERIAL.
均可使用同等材質。


康揚企業股份有限公司
 KANG YANG HARDWARE ENTERPRISE CO., LTD.
康揚塑膠(東莞)有限公司
 KANG YANG PLASTIC(DONG GUAN) CO., LTD.
康哲電腦配件(吳江)有限公司
 KANG CHE COMPUTER COMPONENTS(WUJIANG) CO., LTD.

TITLE		SPACER SUPPORT		SPEC. DWG.	
MATERIAL		NYLON 66 UL94V-2		DATE	
FINISH				DRAWN	
COLOR		NATURAL		CHECK	
UNLESS OTHERWISE SPECIFIED TOLERANCE		SEE ABOVE		APPROVED	

PART NUMBER		DRAWING NUMBER	
SEE ABOVE		ULCB-	
SIZE	SCALE	UNIT	REV
A4	2:1	mm	B

