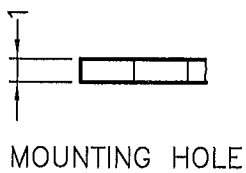
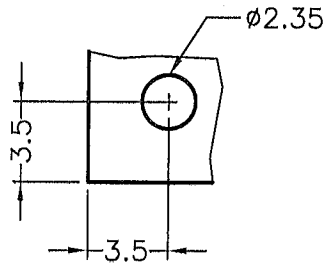
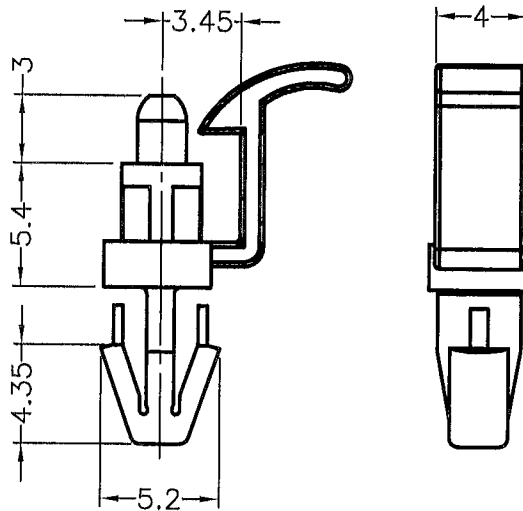


DIM.	TOL
L ≤ 10	±0.2
10 < L ≤ 30	±0.3
30 < L ≤ 50	±0.5
50 < L ≤ 100	±0.7
100 < L ≤ 250	±1.2
ABOVE 250	±1.5

REVISIONS			
REV	DESCRIPTION	DATE	BY



HOLE IN P.C.B $\phi 2.35\text{mm}$
P.C.B THICKNESS 1.0mm



MOUNTING HOLE $\phi 4\text{mm}$
P.C.B THICKNESS 2.4mm

PART NO.	MATERIAL	COLOR
ULCBA-5	NYLON 66 UL94V-2	NATURAL
ULCBA-5BU		BLUE
ULCBA-5V0	NYLON 66 UL94V-0	NATURAL(WHITE)

NOTE: MADE OF EQUIVALENT MATERIAL.
均可使用同等材質。



康揚企業股份有限公司
KANG YANG HARDWARE ENTERPRISE CO., LTD.
康揚塑膠(東莞)有限公司
KANG YANG PLASTIC(DONG GUAN) CO., LTD.
康哲電腦配件(吳江)有限公司
KANG CHE COMPUTER COMPONENTS(WUJIANG) CO., LTD.

TITLE	SPACER SUPPORT	SPEC. DWG
MATERIAL	SEE ABOVE	DATE 2011.08.09
FINISH		DRAWN C.S.L
COLOR	SEE ABOVE	CHECK
UNLESS OTHERWISE SPECIFIED TOLERANCE	SEE ABOVE	APPROVED

PART NUMBER	SEE ABOVE	DRAWING NUMBER	ULCBA-5
SIZE	A4	SCALE	3:1
UNIT	mm	REV	B