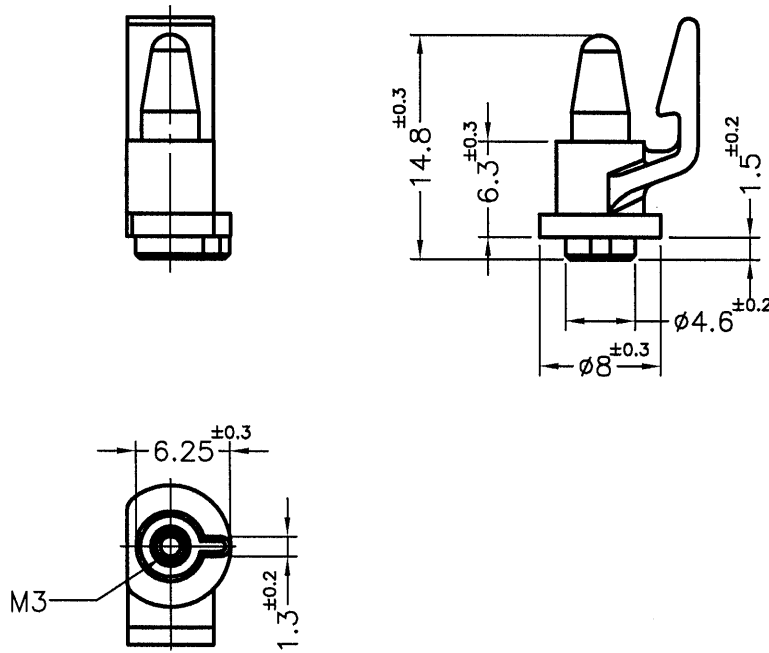





| REVISIONS | | | |
|-----------|-------------|------|----|
| REV | DESCRIPTION | DATE | BY |
| | | | |
| | | | |

HOLE IN P.C.B $\phi 4.0$
THICKNESS 1.2~1.6



NOTE: MADE OF EQUIVALENT MATERIAL.
均可使用同等材質.

| | | | | |
|--|------------------------------|------------|--|---|
|  <p>康揚企業股份有限公司 KANG YANG HARDWARE ENTERPRISE CO., LTD. 康揚塑膠(東莞)有限公司 KANG YANG PLASTIC(DONG GUAN) CO., LTD. 康哲電腦配件(吳江)有限公司 KANG CHE COMPUTER COMPONENTS(WUJIANG) CO., LTD.</p> | TITLE SPACER SUPPORT | | SPEC. DWG. | |
| | MATERIAL NYLON 66 UL94V-2 | | DATE 2006.07.17 | |
| | HARDNESS | | DRAWN KEVIN | |
| | COLOR NATURAL | | CHECK  | |
| PART NUMBER ULCC-6 | DRAWING NUMBER ULCC-6 | | UNLESS OTHERWISE SPECIFIED TOLERANCE SEE ABOVE | |
| SIZE A4 | SCALE 2:1 | UNIT mm | REV A | APPROVED  |