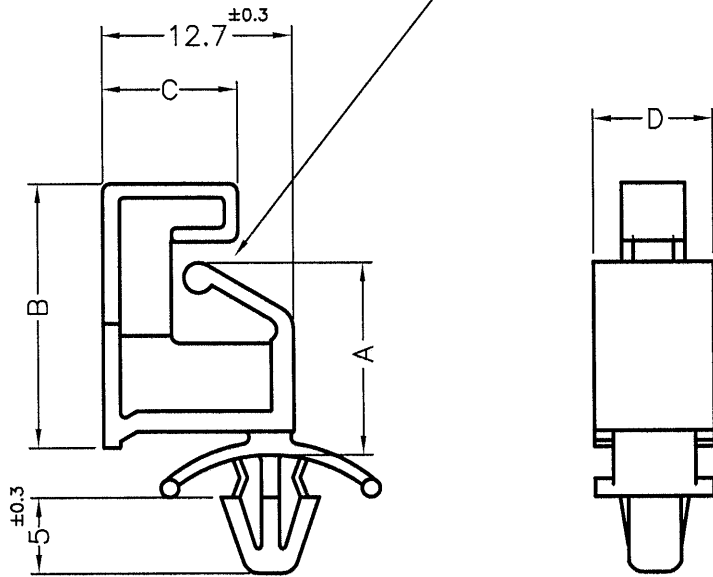


DIM.	TOL
5mm DOWN	±0.2
5~20mm	±0.3
20~40mm	±0.4
40~60mm	±0.5
60~100mm	±0.8
100mm UP	±1.0

CHASSIS THICKNESS 1.6~2.0



MOUNTING HOLE $\phi 4.8\text{mm}$
CHASSIS THICKNESS 0.8~2.0mm

PART NO	A	B	C	D
ULCF-6	6.3	11.0	9.0	8.0
ULCF-8	8.0	12.7	9.0	8.0
ULCF-8S	8.0	12.7	7.6	6.0
ULCF-9	9.5	14.2	9.0	8.0
ULCF-12	12.7	17.4	9.0	8.0
ULCF-16	15.9	20.6	9.0	8.0

NOTE:MADE OF EQUIVALENT MATERIAL.
均可使用同等材質.



康揚企業股份有限公司
KANG YANG HARDWARE ENTERPRISE CO., LTD.
康揚塑膠(東莞)有限公司
KANG YANG PLASTIC(DONG GUAN)CO.,LTD.
康哲電腦配件(吳江)有限公司
KANG CHE COMPUTER COMPONENTS(WUJIANG)CO.,LTD.

PROPRIETARY AND CONFIDENTIAL THE INFORMATION CONTAINED IN THIS DRAWING IS THE SOLE PROPERTY OF KANG YANG HARDWARE ENTERPRISE CO. ANY REPRODUCTION IN PART OR AS A WHOLE WITHOUT THE WRITTEN PERMISSION OF KANG YANG HARDWARE ENTERPRISE CO. IS PROHIBITED.	DATE	TITLE	DWG. NO.	PART NO.	
	2007.08.17	SPACER SUPPORT	ULCF-H	SEE ABOVE	
	DRAWN	MATERIAL			
	Lung	NYLON 66 UL94V-2			
CHECKED	COLOR	FINISH	SIZE	SPEC. DWG.	REV
<i>[Signature]</i>	NATURAL		A4		B
APPROVED	UNLESS OTHERWISE SPECIFIED TOLERANCE:		SCALE: 2:1	UNIT	SHEET 1 OF 1
<i>[Signature]</i>	SEE ABOVE			mm	

DO NOT SCALE DRAWING