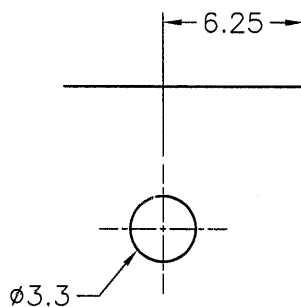
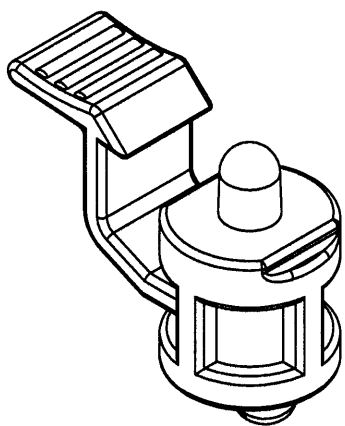
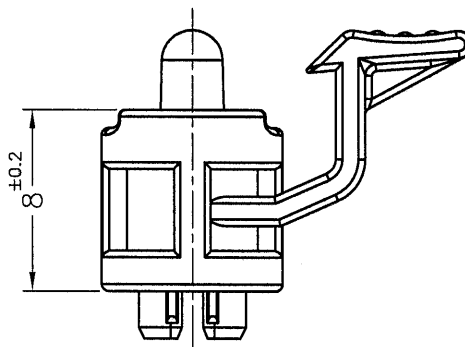
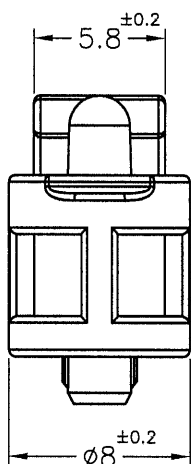


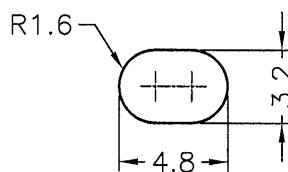
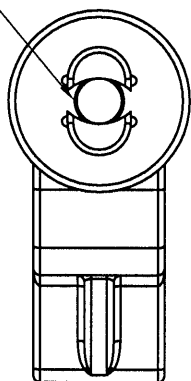
REVISIONS			
REV	DESCRIPTION	DATE	BY



MOUNTING HOLE
CHASSIS THICKNESS:1.6mm



Self-tapping screw M2.5(TYPE F)



MOUNTING HOLE
CHASSIS THICKNESS:2.16mm

NOTE: MADE OF EQUIVALENT MATERIAL.
均可使用同等材質.



康揚企業股份有限公司
KANG YANG HARDWARE ENTERPRISE CO., LTD.
康揚塑膠(東莞)有限公司
KANG YANG PLASTIC(DONG GUAN)CO.,LTD.
康哲電腦配件(吳江)有限公司
KANG CHE COMPUTER COMPONENTS(WUJIANG) CO.,LTD.

TITLE		SPACER SUPPORT		SPEC. DWG.	
MATERIAL		NYLON 66 UL94V-0		DATE	
FINISH		GREEN (PANTONE 375C)		DRAWN	
COLOR		GREEN (PANTONE 375C)		CHECK	
UNLESS OTHERWISE SPECIFIED TOLERANCE		SEE ABOVE		APPROVED	

PART NUMBER		DRAWING NUMBER	
ULCH-2V0(GR)		ULCH-2	
SIZE	SCALE	UNIT	REV
A4	3:1	mm	C

薛梅

Kang