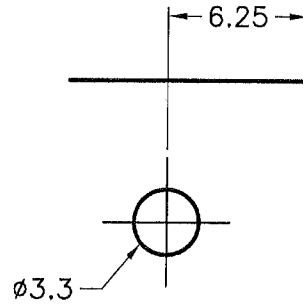
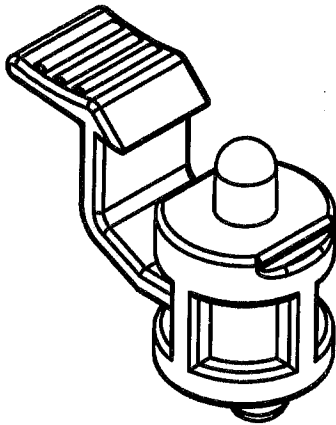
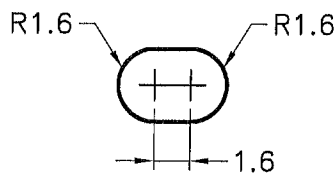
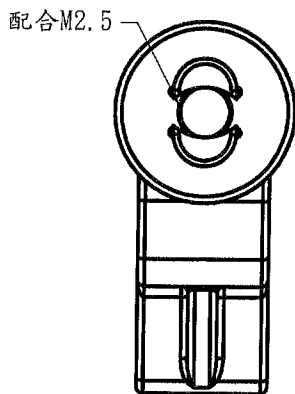
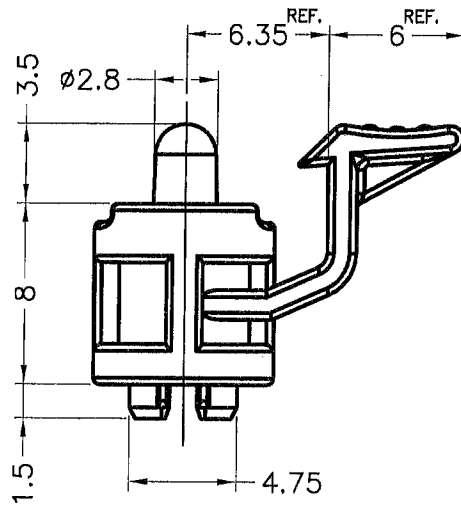
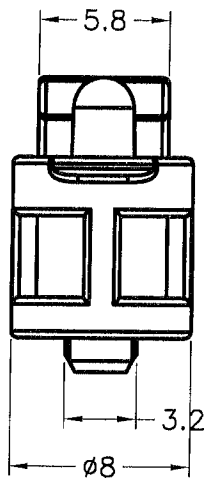


DIM.	TOL
L ≤ 10	±0.2
10 < L ≤ 30	±0.3
30 < L ≤ 50	±0.5
50 < L ≤ 100	±0.7
100 < L ≤ 250	±1.2
ABOVE 250	±1.5

REVISIONS			
REV	DESCRIPTION	DATE	BY


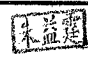


MOUNTING HOLE  
CHASSIS THICKNESS 1.6mm



MOUNTING HOLE  
CHASSIS THICKNESS 1.6mm

NOTE: All measurement does not include gate which raises under 0.3mm.

 <p>康揚企業股份有限公司 KANG YANG HARDWARE ENTERPRISE CO., LTD. 康揚塑膠(東莞)有限公司 KANG YANG PLASTIC(DONG GUAN) CO., LTD. 康哲電腦配件(吳江)有限公司 KANG CHE COMPUTER COMPONENTS(WUJIANG) CO., LTD.</p>	TITLE SPACER SUPPORT		SPEC. DWG.	
	MATERIAL NYLON 66 UL94V-0		DATE 2014.04.22	
	HARDNESS		DRAWN Y.C.P	
	COLOR NATURAL(WHITE)		CHECK 	
PART NUMBER ULCH-2SV0	DRAWING NUMBER ULCH-2S		UNLESS OTHERWISE SPECIFIED TOLERANCE SEE ABOVE	
SIZE A4	SCALE 3:1	UNIT mm	REV A	APPROVED 