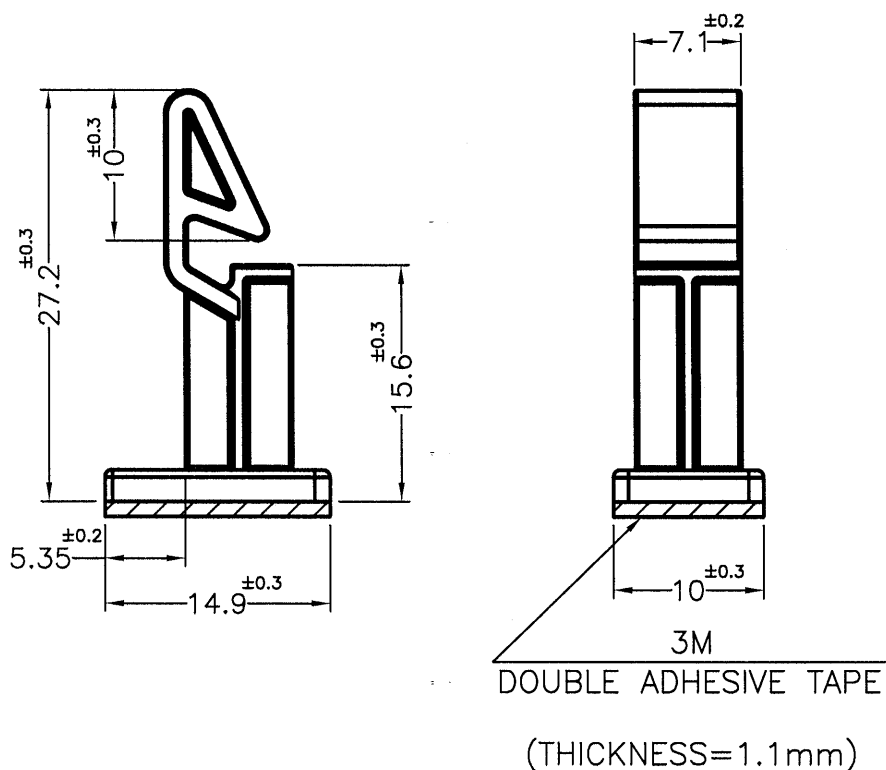


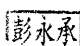
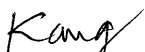


REVISIONS			
REV	DESCRIPTION	DATE	BY

PCB THICKNESS: 1.6mm



- NOTE: 1. THE PRODUCT SIZE IS NOT INCLUDED THE SIZES OF ADHESIVE TAPE AND ITS LINER.  
 產品尺寸皆不含背膠及離型紙。  
 2. IT IS HAND-CUT ADHESIVE TAPE, SO CAN NOT PERFECTLY STICK EVENLY. IT IS POSSIBLE TO HAVE SOME PORTION EXPOSED OR SHRINKING INWARD. THIS IS A NORMAL PHENOMENON.  
 此為手工背膠, 貼附無法非常平整, 會有外露或內縮屬正常現象。  
 3. MADE OF EQUIVALENT MATERIAL.  
 均可使用同等材質。

 <p>康揚企業股份有限公司          KANG YANG HARDWARE ENTERPRISE CO., LTD.          康揚塑膠(東莞)有限公司          KANG YANG PLASTIC(DONG GUAN) CO.,LTD.          康哲電腦配件(吳江)有限公司          KANG CHE COMPUTER COMPONENTS(WUJIANG) CO.,LTD.</p>	TITLE		SPEC. DWG.		
	SPACER SUPPORT		MATERIAL	DATE	
	NYLON 66 UL94V-2		2017.04.28		
DRAWING NUMBER		FINISH	DRAWN		
ULCKA-15.6(110)		NATURAL		C. S. L	
DRAWING NUMBER		COLOR	CHECK		
ULCKA-15.6		NATURAL		 	
PART NUMBER	SCALE	UNLESS OTHERWISE SPECIFIED TOLERANCE	APPROVED		
ULCKA-15.6(110)	2:1	SEE ABOVE			
SIZE	UNIT	REV			
A4	mm	A			