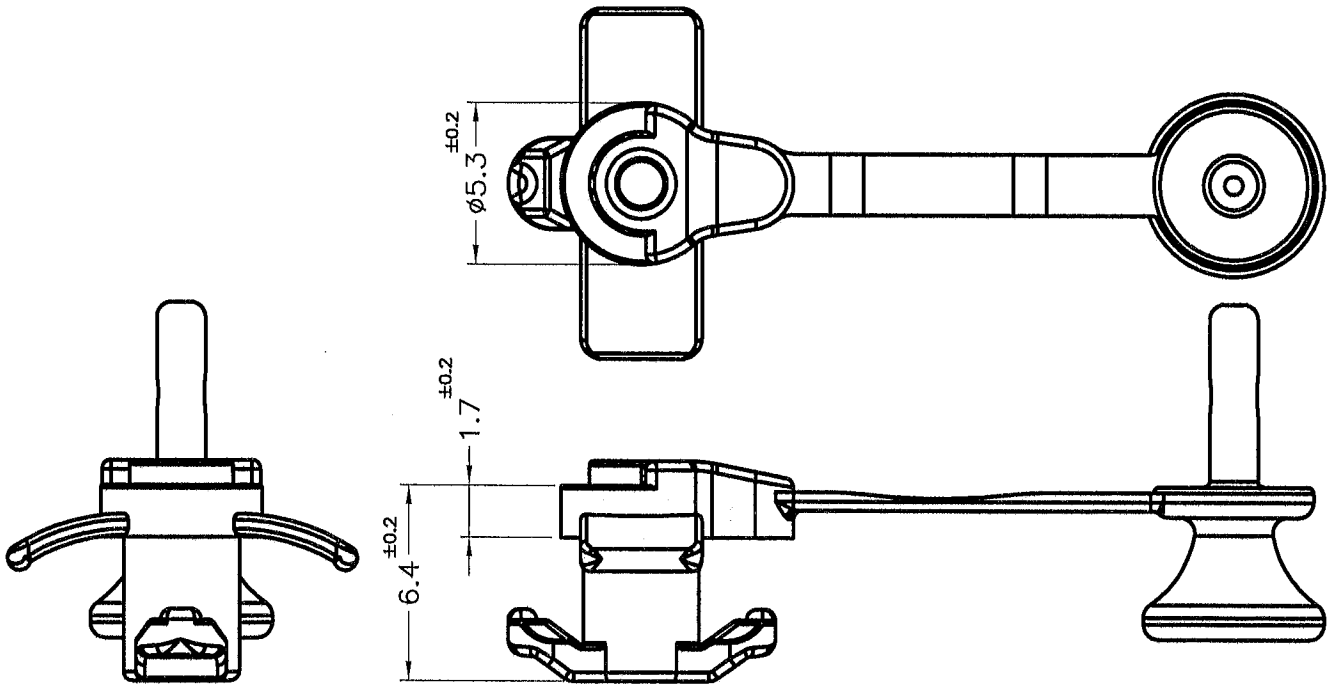


Patented Product

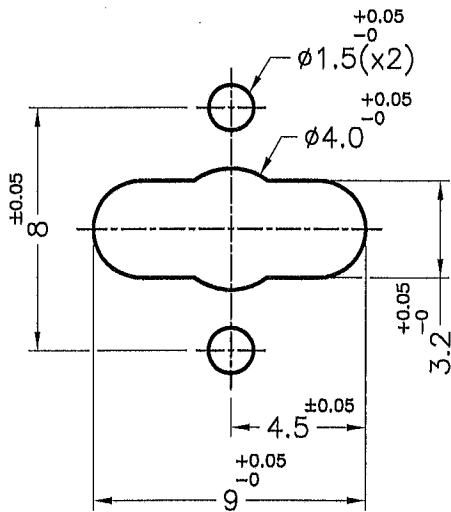
專利產品

REVISIONS

REV	DESCRIPTION	DATE	BY



PART NO.	MATERIAL	COLOR
ULCN1.7-2.4V0B	NYLON 66 UL94V-0	BLACK
ULCN1.7-2.4	NYLON 66 UL94V-2	NATURAL
ULCN1.7-2.4(GR)		GREEN(PANTONE 375C)



MOUNTING HOLES
CHASSIS THICKNESS: 2.1~2.4mm

- NOTE: 1. SHRINKING IS NORMAL STATUS.
內縮屬正常現象。
2. MADE OF EQUIVALENT MATERIAL.
均可使用同等材質。
3. ALL MEASUREMENT DOES NOT INCLUDE GATE WHICH RAISES UNDER 0.3mm.
所有尺寸量測皆不含進膠口, 膠口凸出0.3mm之內。



康揚企業股份有限公司
KANG YANG HARDWARE ENTERPRISE CO., LTD.
康揚塑膠(東莞)有限公司
KANG YANG PLASTIC(DONG GUAN) CO., LTD.
康哲電腦配件(吳江)有限公司
KANG CHE COMPUTER COMPONENTS(WUJIANG) CO., LTD.

TITLE		SPEC. DWG.	
SPACER SUPPORT		DATE	2013.07.02
MATERIAL		DRAWN	K.W
SEE ABOVE		CHECK	
FINISH		APPROVED	
SEE ABOVE			
UNLESS OTHERWISE SPECIFIED TOLERANCE		SEE ABOVE	
PART NUMBER	DRAWING NUMBER		
SEE ABOVE	ULCN1.7-2.4		
SIZE	SCALE	UNIT	REV
A4	4:1	mm	B