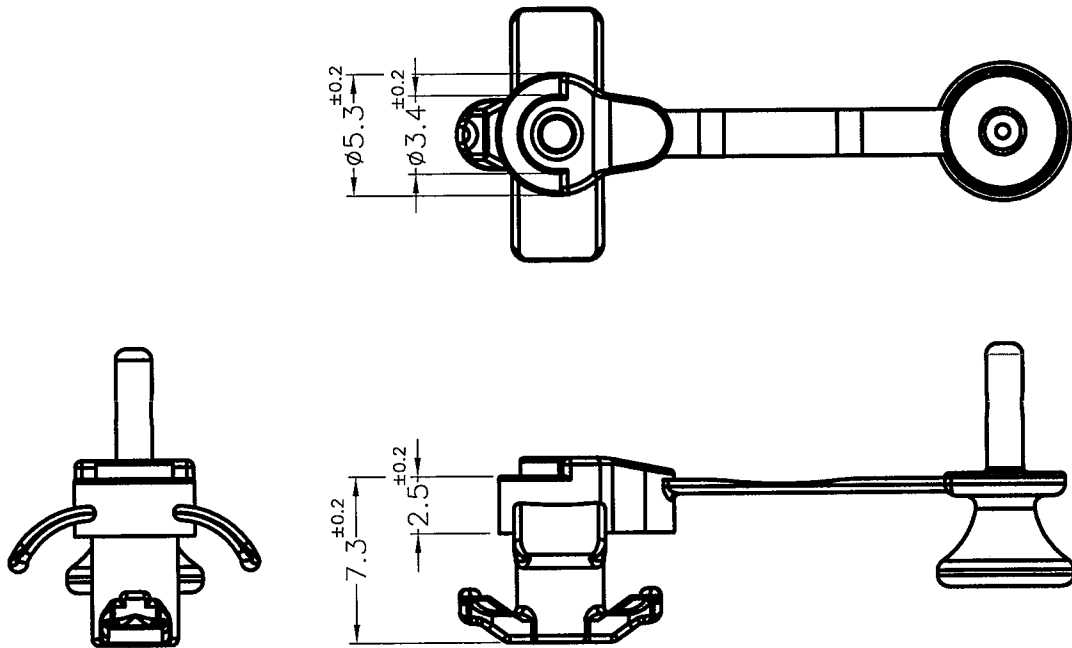
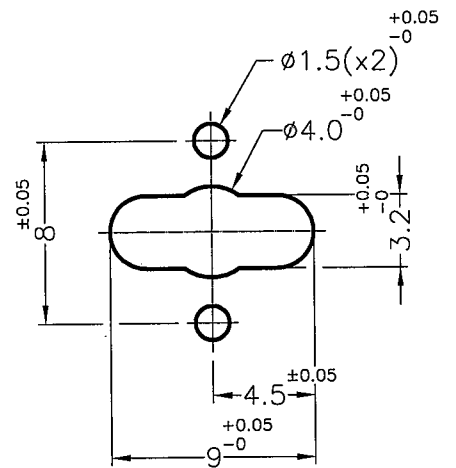


Patented Product  
專利產品

REVISIONS			
REV	DESCRIPTION	DATE	BY



PART NO.	MATERIAL	COLOR
ULCN2.5-2.6	NYLON 66 UL94V-2	NATURAL
ULCN2.5-2.6V0B	NYLON 66 UL94V-0	BLACK
ULCN2.5-2.6V0BU1		BLUE



NOTE: 1. SHRINKING IS NORMAL STATUS.  
內縮為正常現象。  
2. MADE OF EQUIVALENT MATERIAL.  
均可使用同等材質。

MOUNTING HOLE  
CHASSIS THICKNESS 1.8~2.6mm

<p>康揚企業股份有限公司 KANG YANG HARDWARE ENTERPRISE CO., LTD. 康揚塑膠(東莞)有限公司 KANG YANG PLASTIC(DONG GUAN) CO., LTD. 康哲電腦配件(吳江)有限公司 KANG CHEE COMPUTER COMPONENTS(WUJIANG) CO., LTD.</p>				TITLE	SPEC. DWG.
				MATERIAL	DATE
				FINISH	DRAWN
				COLOR	CHECK
PART NUMBER	DRAWING NUMBER	UNLESS OTHERWISE SPECIFIED TOLERANCE	APPROVED		
SEE ABOVE	ULCN2.5-2.6	SEE ABOVE			
SIZE	SCALE	UNIT	REV		
A4	3:1	mm	C		