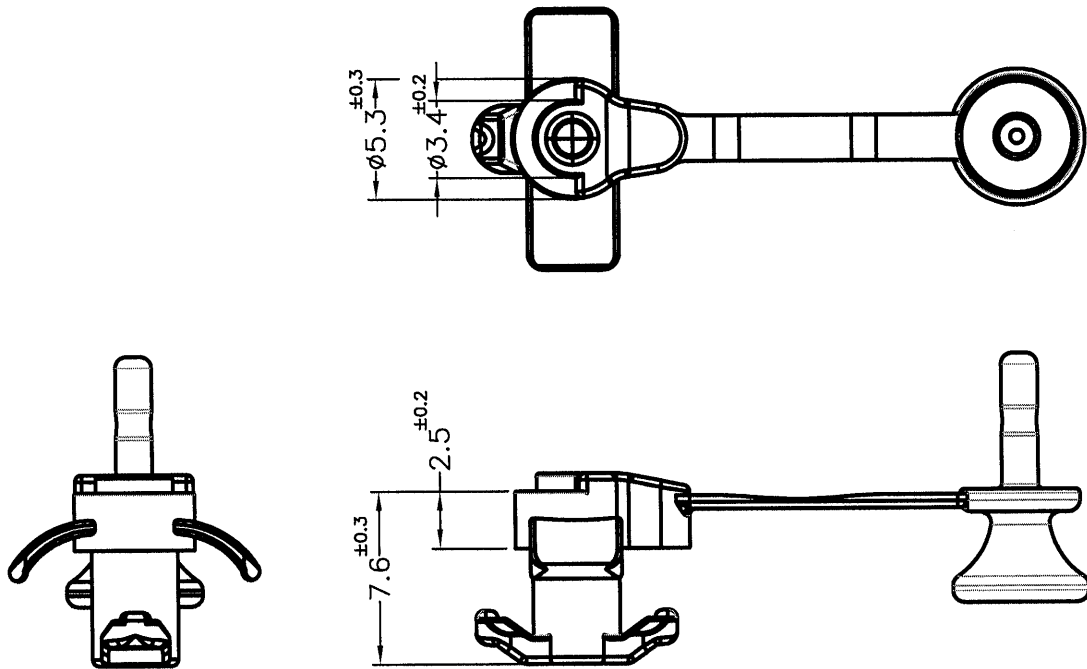


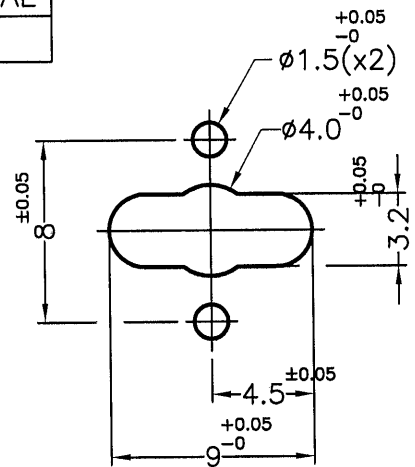
Patented Product

專利產品

REVISIONS			
REV	DESCRIPTION	DATE	BY



PART NO.	MATERIAL	COLOR
ULCN2.5-2.9	NYLON 66 UL94V-2	NATURAL
ULCN2.5-2.9V0B	NYLON 66 UL94V-0	BLACK



NOTE: 1. SHRINKING IS NORMAL STATUS.
 內縮為正常現象。
 2. MADE OF EQUIVALENT MATERIAL.
 均可使用同等材質。

MOUNTING HOLE
 CHASSIS THICKNESS 2.1~2.9mm



康揚企業股份有限公司
 KANG YANG HARDWARE ENTERPRISE CO., LTD.
 康揚塑膠(東莞)有限公司
 KANG YANG PLASTIC(DONG GUAN) CO., LTD.
 康哲電腦配件(吳江)有限公司
 KANG CHE COMPUTER COMPONENTS(WUJIANG) CO., LTD.

TITLE		SPEC. DWG.	
SPACER SUPPORT		DATE	2016.10.13
MATERIAL		DRAWN	Y.C.P
SEE ABOVE		CHECK	
FINISH		APPROVED	
SEE ABOVE		TOLERANCE	
UNLESS OTHERWISE SPECIFIED		SEE ABOVE	
TOLERANCE		SEE ABOVE	

PART NUMBER		DRAWING NUMBER	
SEE ABOVE		ULCN2.5-2.9	
SIZE	SCALE	UNIT	REV
A4	3:1	mm	B