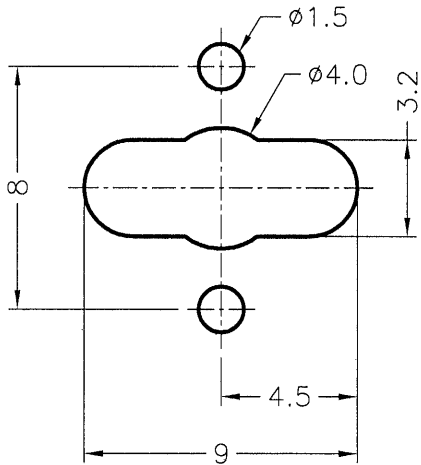
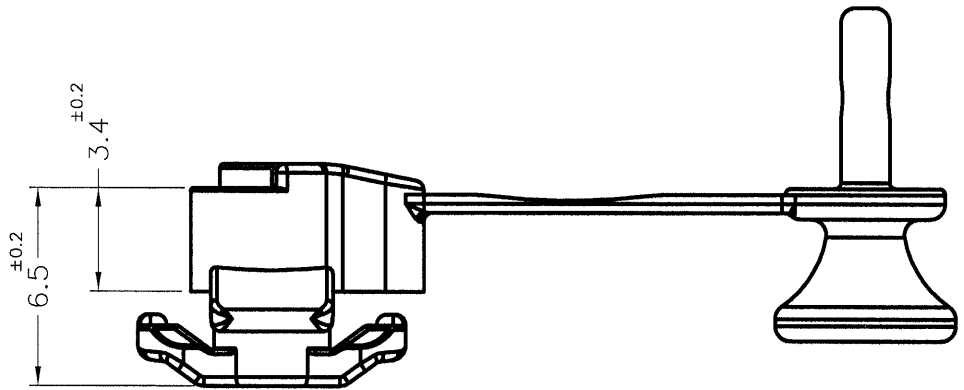
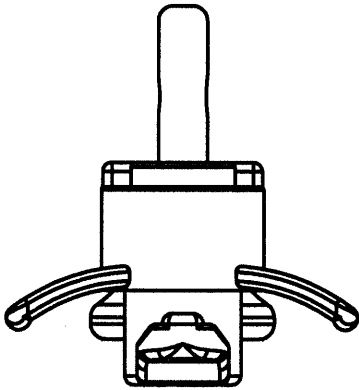
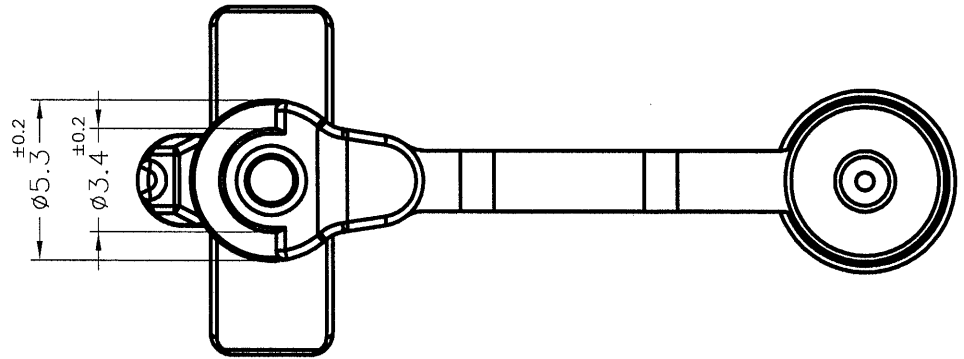


Patented Product

專利產品

REVISIONS

REV	DESCRIPTION	DATE	BY



PART NO.	COLOR
ULCN3.4-0.8(B)	BLACK
ULCN3.4-0.8(BU)	BLUE(PANTONE 285C)
ULCN3.4-0.8(GR)	GREEN(PANTONE 375C)

MOUNTING HOLE  
CHASSIS THICKNESS: 0.8mm

NOTE: 1. MADE OF EQUIVALENT MATERIAL.  
均可使用同等材質  
2. SHRINKING IS NORMAL STATUS.  
內縮為正常現象



康揚企業股份有限公司  
KANG YANG HARDWARE ENTERPRISE CO., LTD.  
康揚塑膠(東莞)有限公司  
KANG YANG PLASTIC(DONG GUAN) CO., LTD.  
康哲電腦配件(吳江)有限公司  
KANG CHE COMPUTER COMPONENTS(WUJIANG) CO., LTD.

TITLE		SPEC. DWG.	
SPACER SUPPORT		DATE	
MATERIAL		2014.04.03	
NYLON 66 UL94V-2		DRAWN	
FINISH		K.W	
COLOR		CHECK	
SEE ABOVE		彭永承	
UNLESS OTHERWISE SPECIFIED TOLERANCE		APPROVED	
SEE ABOVE		Kang	

PART NUMBER		DRAWING NUMBER	
SEE ABOVE		ULCN3.4-0.8	
SIZE	SCALE	UNIT	REV
A4	4:1	mm	C