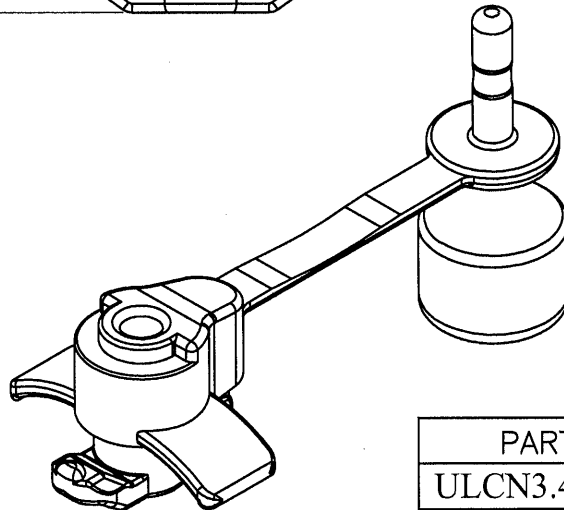
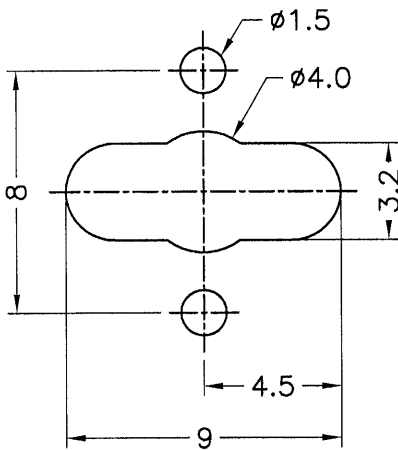
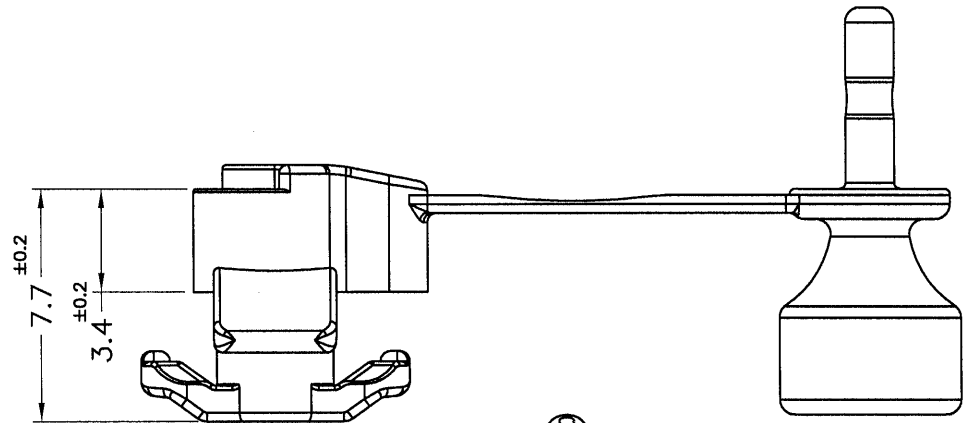
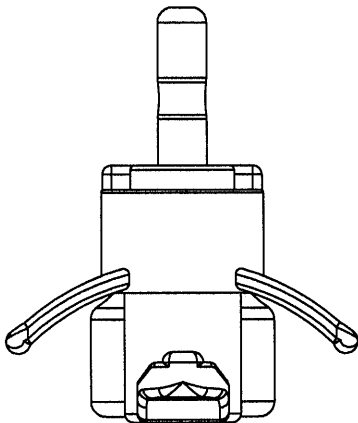
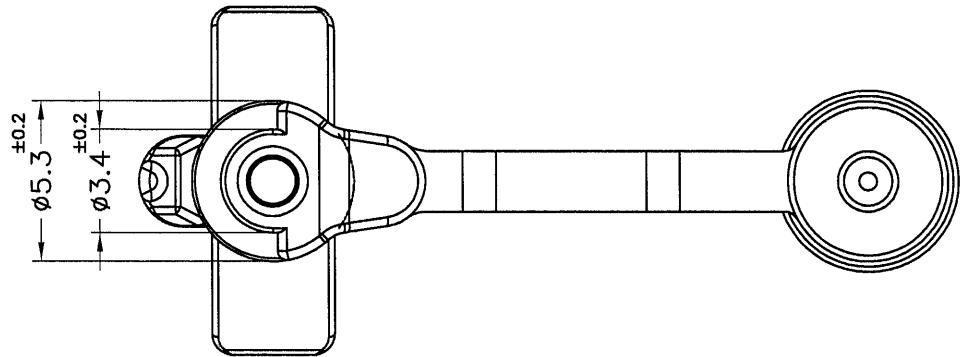


Patented Product

專利產品

REVISIONS


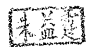
REV	DESCRIPTION	DATE	BY



PART NO.	COLOR
ULCN3.4-2.1(B)	BLACK
ULCN3.4-2.1(BU)	BLUE

MOUNTING HOLE
CHASSIS THICKNESS:2.13mm

NOTE:1. MADE OF EQUIVALENT MATERIAL.
均可使用同等材質
2. SHRINKING IS NORMAL STATUS.
內縮為正常現象

 <p>康揚企業股份有限公司 KANG YANG HARDWARE ENTERPRISE CO., LTD. 康揚塑膠(東莞)有限公司 KANG YANG PLASTIC(DONG GUAN)CO.,LTD. 康哲電腦配件(吳江)有限公司 KANG CHE COMPUTER COMPONENTS(WUJIANG) CO.,LTD.</p>	TITLE SPACER SUPPORT		SPEC. DWG.	
	MATERIAL NYLON 66 UL94V-2		DATE 2016.05.23	
	FINISH		DRAWN Summer	
	COLOR SEE ABOVE		CHECK 	
PART NUMBER SEE ABOVE	DRAWING NUMBER ULCN3.4-2.1		UNLESS OTHERWISE SPECIFIED TOLERANCE SEE ABOVE	
SIZE A4	SCALE 4:1	UNIT mm	REV A	APPROVED 