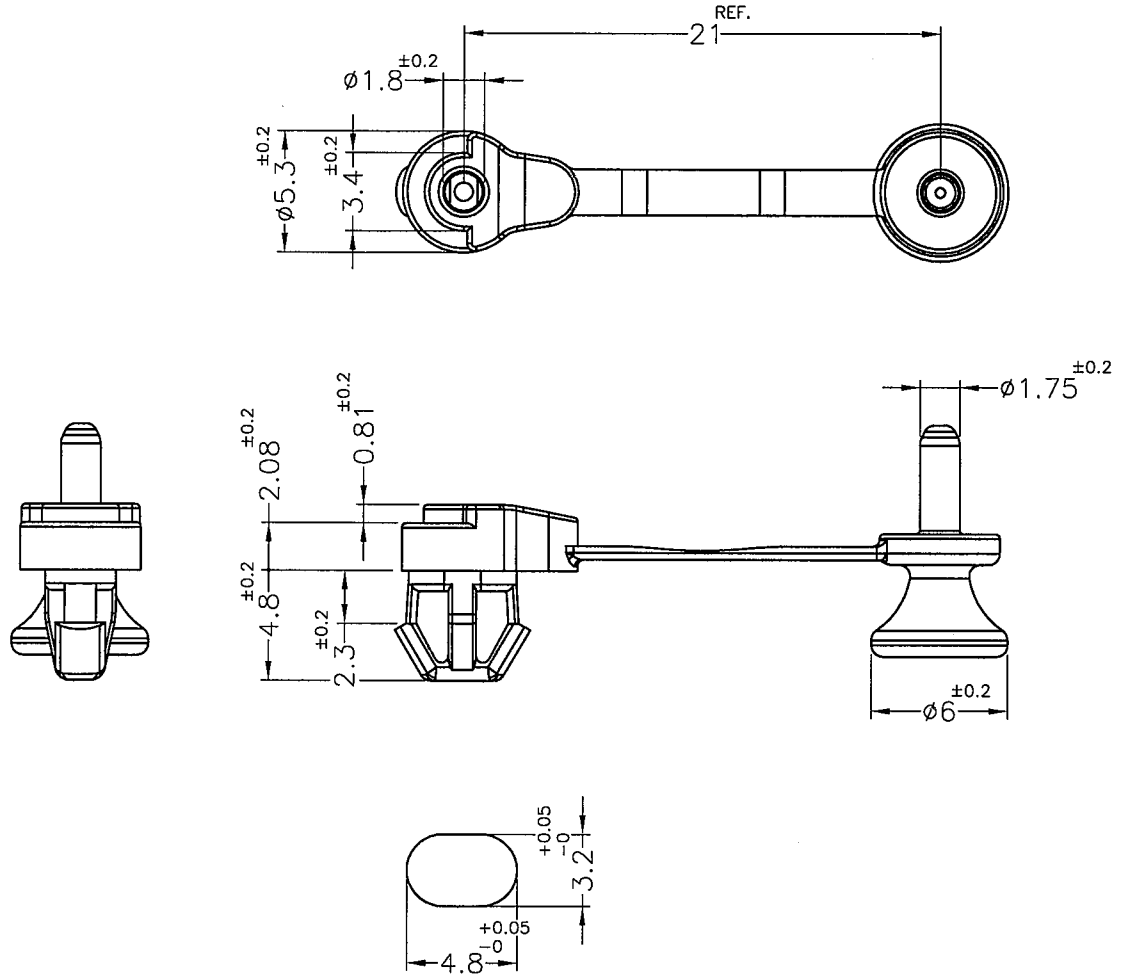


Patented Product

專利產品

REVISIONS

REV	DESCRIPTION	DATE	BY



MOUNTING HOLE  
THICKNESS: 2.0mm

NOTE:MADE OF EQUIVALENT MATERIAL.  
均可使用同等材質。



康揚企業股份有限公司  
KANG YANG HARDWARE ENTERPRISE CO., LTD.  
康揚塑膠(東莞)有限公司  
KANG YANG PLASTIC(DONG GUAN )CO.,LTD.  
康哲電腦配件(吳江)有限公司  
KANG CHE COMPUTER COMPONENTS(WUJIANG) CO.,LTD.

TITLE	SPACER SUPPORT	SPEC. DWG.
MATERIAL	NYLON 66 UL94V-0	DATE
FINISH		DRAWN
COLOR	GREEN	CHECK
UNLESS OTHERWISE SPECIFIED TOLERANCE	SEE ABOVE	APPROVED
DATE	2018.10.17	DRAWN
DRAWN	C. S. L	CHECK
CHECK		APPROVED

PART NUMBER	DRAWING NUMBER		
ULCO2.1-2V0GR	ULCO2.1-2		
SIZE	SCALE	UNIT	REV
A4	3:1	mm	01